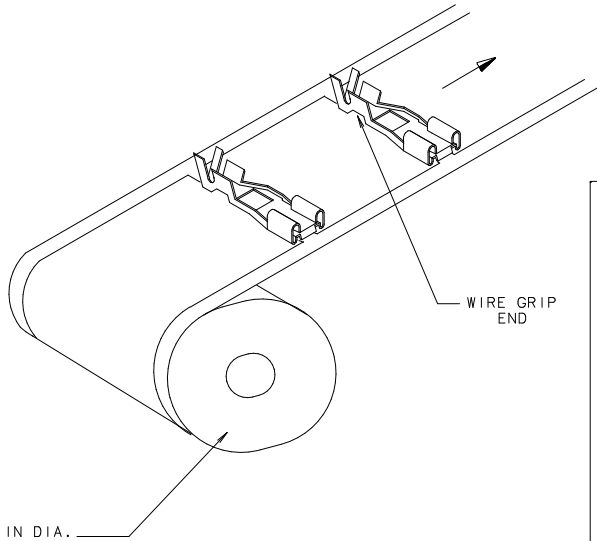
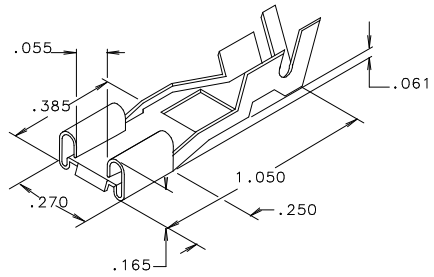


LITTELFUSE PART #	REELED	WIRE GAGE
913-042	YES	10
913-042-001	NO	10
913-043	YES	14
913-043-001	NO	14
913-044	YES	18



REELED TERMINALS ARE TO UNWIND FROM REEL WITH TERMINALS POSITIONED AS SHOWN

REEL IS APPROX. 19" IN DIA.
(NOT DRAWN TO SCALE)

UNLESS OTHERWISE SPECIFIED, DIMENSIONS DO NOT INCLUDE PLATING.

CPK DENOTES CRITICAL CHARACTERISTICS.

CPK DENOTES CPK DIMENSIONS - MINIMUM CPK VALUE

CPK DENOTES A CHARACTERISTIC THAT PROVIDES AN INDICATION OF THE PROCESSING TO BE USED FOR MEASUREMENT OF THIS CHARACTERISTIC TO THE TOLERANCE SPECIFIED.

CPK DENOTES CP DIMENSIONS - MINIMUM CP VALUE

CPK DENOTES CP DIMENSIONS - MINIMUM CP VALUE

CPK DENOTES CP DIMENSIONS - MINIMUM CP VALUE

CPK DENOTES CP DIMENSIONS - MINIMUM CP VALUE

CPK DENOTES CP DIMENSIONS - MINIMUM CP VALUE

CPK DENOTES CP DIMENSIONS - MINIMUM CP VALUE

CPK DENOTES CP DIMENSIONS - MINIMUM CP VALUE

CPK DENOTES CP DIMENSIONS - MINIMUM CP VALUE

CPK DENOTES CP DIMENSIONS - MINIMUM CP VALUE

NO	COMPONENT NO	DESCRIPTION	QTY/M	U/M
1	9	18		
2	10	19		
3	12	20		
4	13	21		
5	14	23		
6	15	33		
7	16	43		
8	17	53		

BILL OF MATERIAL

CDPLIES TO	MAT. SPEC.	PRE. HOT T.I.N.	FINISH	SCALE	DATE	DATE	DATE	RAW STK WT	LBS/M
1	9	18	DIPPED BRASS CDA 230	1/13/98					
2	10	19							
3	12	20							
4	13	21							
5	14	23							
6	15	33							
7	16	43							
8	17	53							

TOLERANCE UNLESS OTHERWISE SPECIFIED
TWO PLACE DEC ±.01 FRACTION ±
THREE PLACE DEC ±.005 ANGULAR ±1°

TITLE CRIMP TERMINAL (SALES OUTLINE)

DESIGNER	ILLINOIS	DRWS. NO.	913-042,-913-044
CHKD	D		
APD			

Littelfuse
DESIGNER: ILLINOIS 60016

UNCONTROLLED DOCUMENT