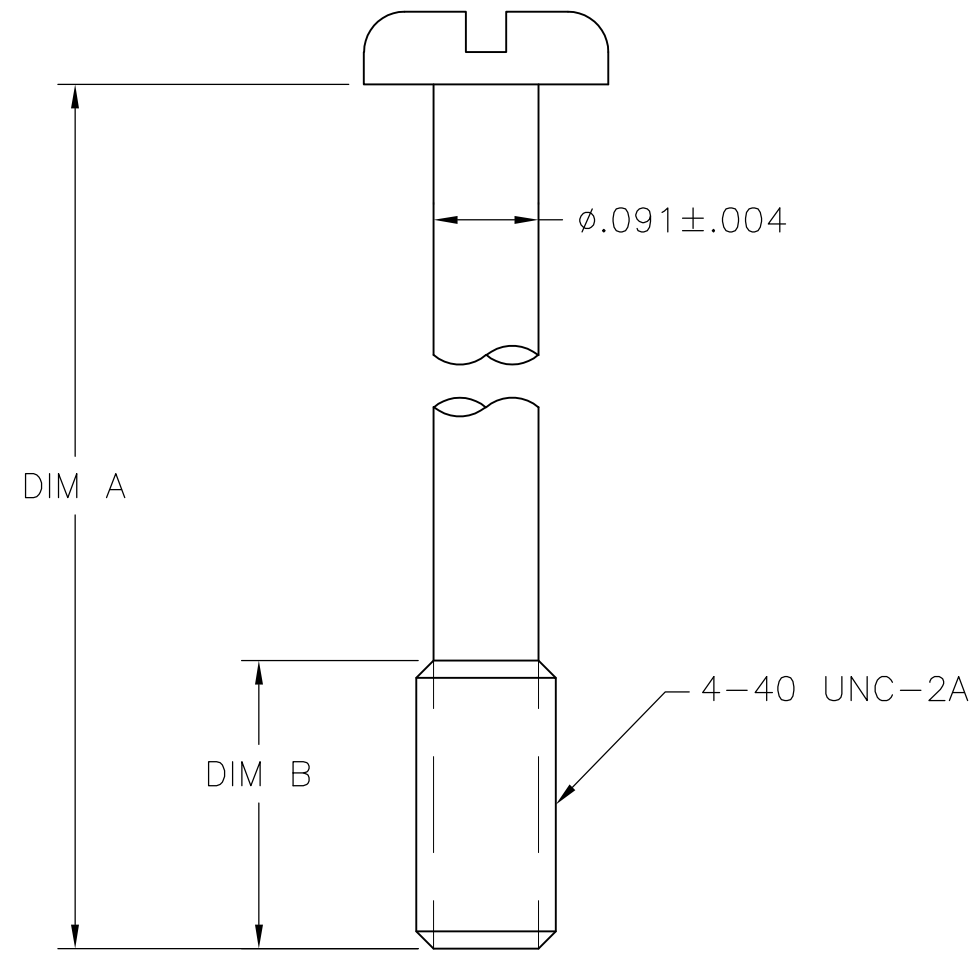



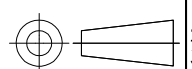
THIS DRAWING IS UNPUBLISHED.      RELEASED FOR PUBLICATION  
 © COPYRIGHT - By -      ALL RIGHTS RESERVED.

LOC	DIST	REVISIONS					
GP	00	P	LTR	DESCRIPTION	DATE	DWN	APVD
		P		REVISED PER ECO-11-005033	23MAR11	RK	HMR

△ 1 MATERIAL:  
ZINC PLATED STEEL.



.20	1.00	5229911-4
.13	1.75	5229911-3
.25	.62	5229911-2
.25	.75	5229911-1
DIM B	DIM A	PART NO

THIS DRAWING IS A CONTROLLED DOCUMENT.		DWN	B. MCMASTER	27JULY05	 TE Connectivity NAME SCREW, PAN HD, CAPTIVE						
DIMENSIONS: INCHES		CHK	W. MILLHIMES	27JULY05							
		APVD	M. WALMSLEY	27JULY05							
TOLERANCES UNLESS OTHERWISE SPECIFIED: 0 PLC ± - 1 PLC ± - 2 PLC ± .02 3 PLC ± - 4 PLC ± - ANGLES ± -		PRODUCT SPEC	-								
MATERIAL		FINISH		APPLICATION SPEC		SIZE	CAGE CODE	DRAWING NO	RESTRICTED TO		
△ 1		△ 1		-		A3	00779	C-5229911	-		
CUSTOMER DRAWING						SCALE	6:1	SHEET	1 OF 1	REV	P