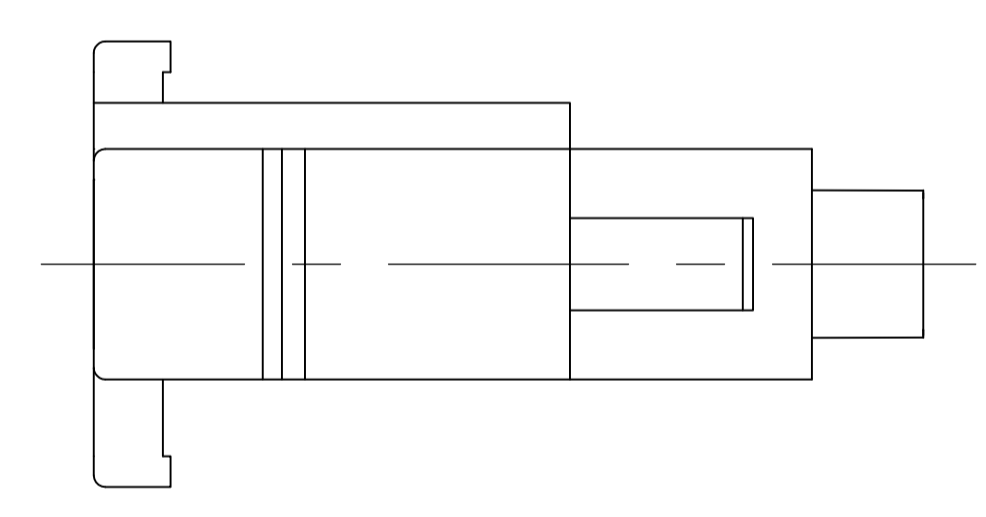
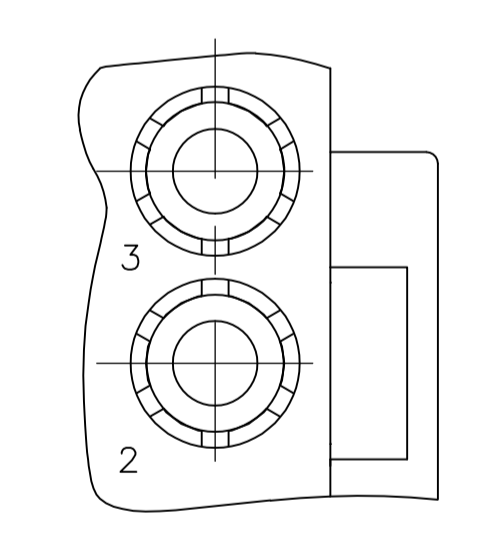
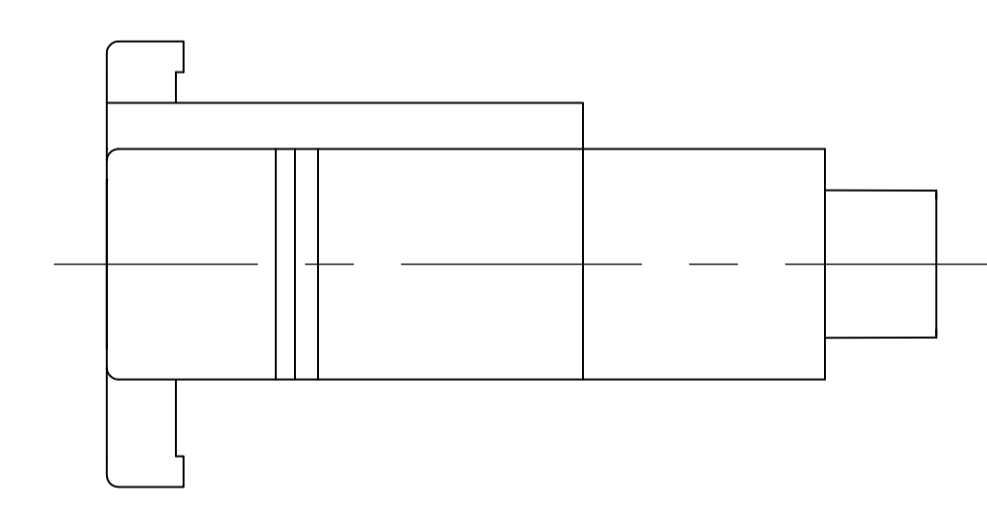


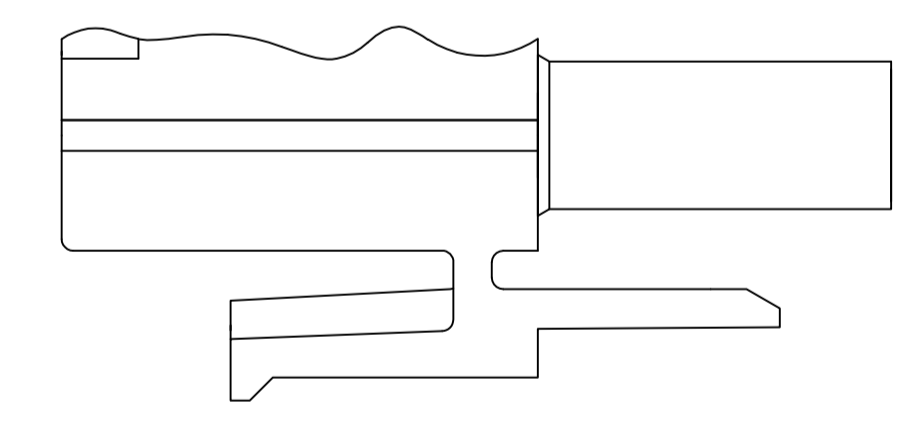
- MATES WITH APPROPRIATE UNIVERSAL MATE-N-LOK™ CAP OR HEADER.
  - SMALL NICKS ARE PERMITTED ON THE CIRCUIT TOWERS WHICH COULD INCREASE THE INITIAL HOUSING MATING FORCE BY UP TO 4.4 NEWTONS [1.0 LBS]. NO INDIVIDUAL NICKED TOWER SHALL INCREASE THIS FORCE BY OVER 2.2 NEWTONS [.5 LBS].
- ⚠️ DIMENSION INDICATED IS AS MOLDED. ADDITIONAL GROWTH DUE TO SUBSEQUENT MOISTURE ABSORPTION MAY OCCUR.
  - ⚠️ FOUR RIBS EQUALLY SPACED, NO SPECIFIC ORIENTATION. SIX RIBS EQUALLY SPACED, NO SPECIFIC ORIENTATION, OPTIONAL.
  - ⚠️ NOT MANUFACTURED IN U.S.
  - ⚠️ UNDERWRITERS RECOGNIZED COMPONENT LOGO AND CSA CERTIFICATION LOGO TO BE LOCATED ONCE EACH ON SIDE OF HOUSING.



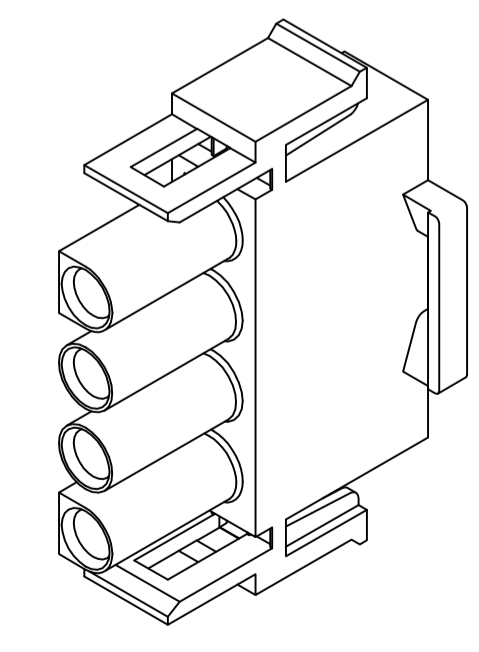
VIEW A-A  
350779-4 ONLY



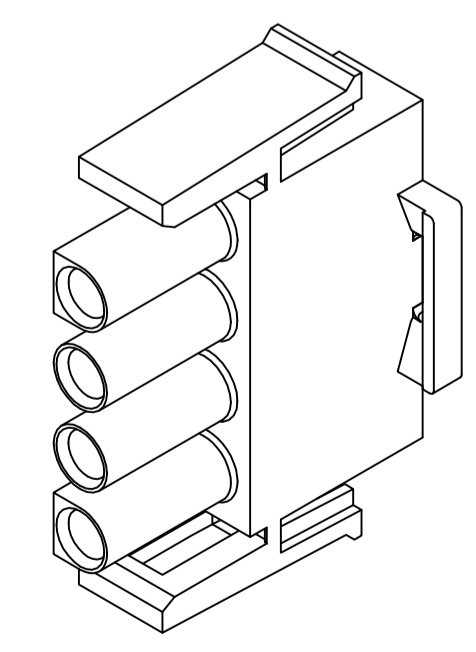
DETAIL A  
OPTIONAL CONSTRUCTION



DETAIL B  
350779-4 ONLY



350779-4 3-DIMENSIONAL MODEL  
NTS



3-DIMENSIONAL MODEL  
NTS

BLACK	1-350779-9
GRAY	1-350779-8
BLUE	1-350779-6
GREEN	1-350779-5
YELLOW	1-350779-4
ORANGE	1-350779-3
RED	1-350779-2
BROWN	1-350779-1
⚠️	350779-4
NATURAL	350779-1
COLOR	PART NO.

THIS DRAWING IS A CONTROLLED DOCUMENT.

DIMENSIONS:	TOLERANCES UNLESS OTHERWISE SPECIFIED:	DIN R VESTAL 03FEB95	NAME
mm	0. PLC ± .1	CHK R SWING 03FEB95	PLUG, 4 CIRCUIT, UNIVERSAL MATE-N-LOK™
	1. PLC ± 0.4	APP'D D SELF 03FEB95	PRODUCT SPEC
	2. PLC ± 0.20	APPLICATION SPEC	
	3. PLC ± .1	SIZE	A1
	4. PLC ± .1	CAGE CODE	00779
	ANGLES ± 0°30'	DRAWING NO	C=350779
MATERIAL NYLON, UL 94V-0	FINISH -	WEIGHT	RESTRICTED TO
		CUSTOMER DRAWING	SCALE 4:1 SHEET 1 OF 1 REV AB3

STE TE Connectivity