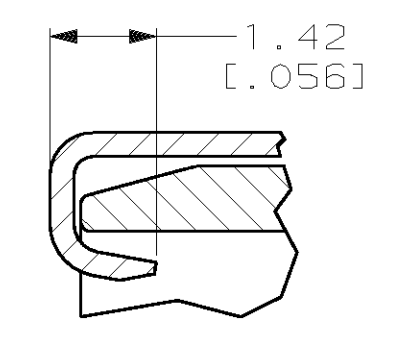
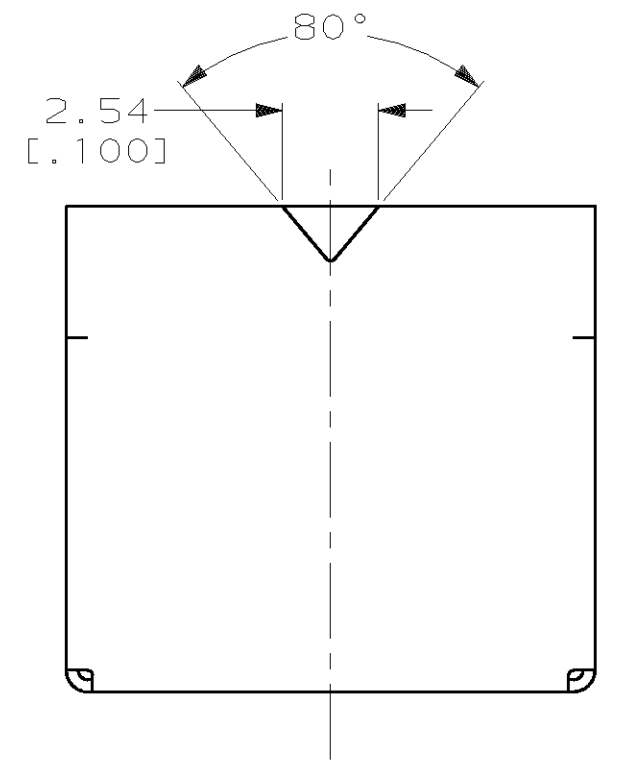
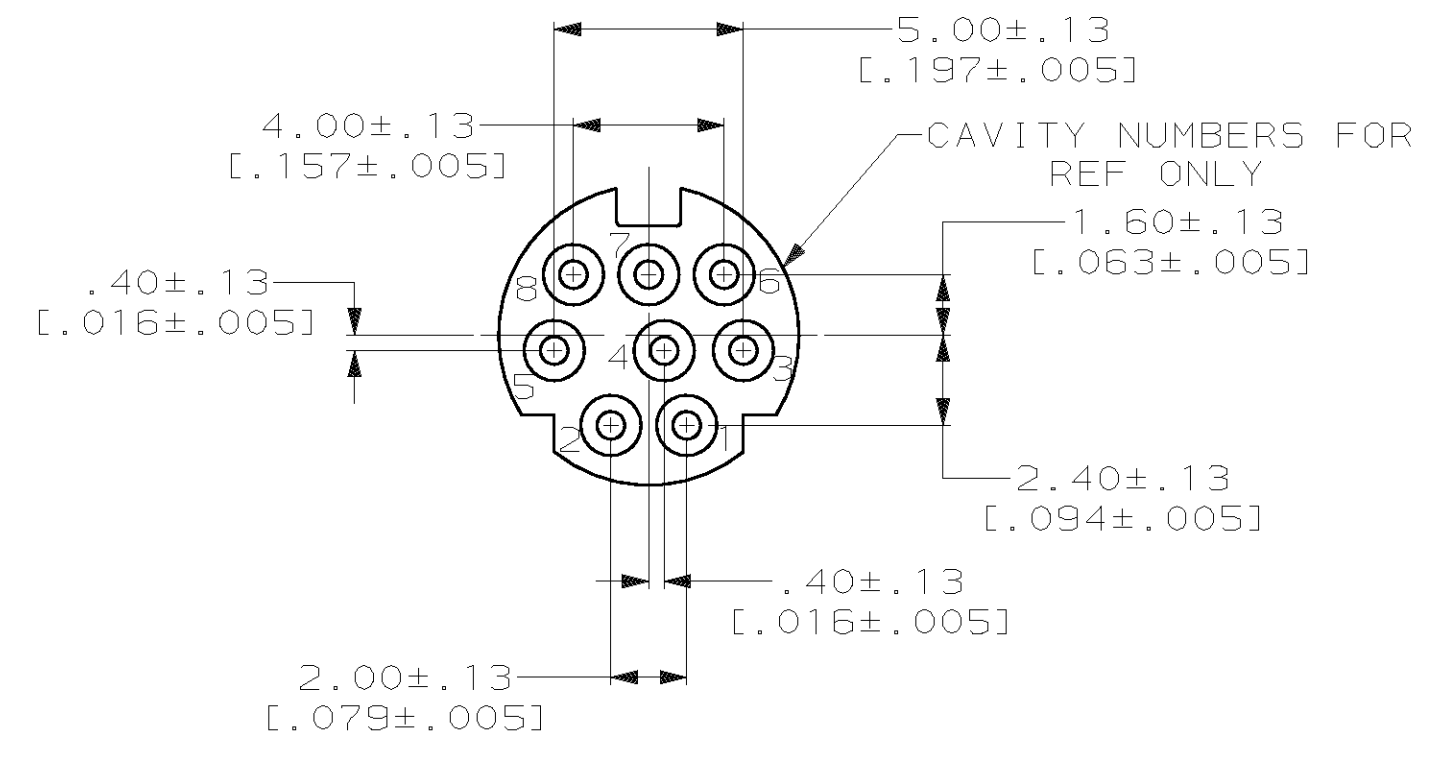


| LOC | | DIST | | P | | F | | ZONE | | LTR | | REVISIONS | | | |
|-----|----|------|--|---|--|---|--|------|--|-----|--|-------------|-----------------------------|---------|----|
| GP | 00 | | | | | | | | | | | DESCRIPTION | DATE | APPD | |
| | | | | | | | | | | | | G | REVISED PER EC 0513-0152-03 | 25APR03 | JG |

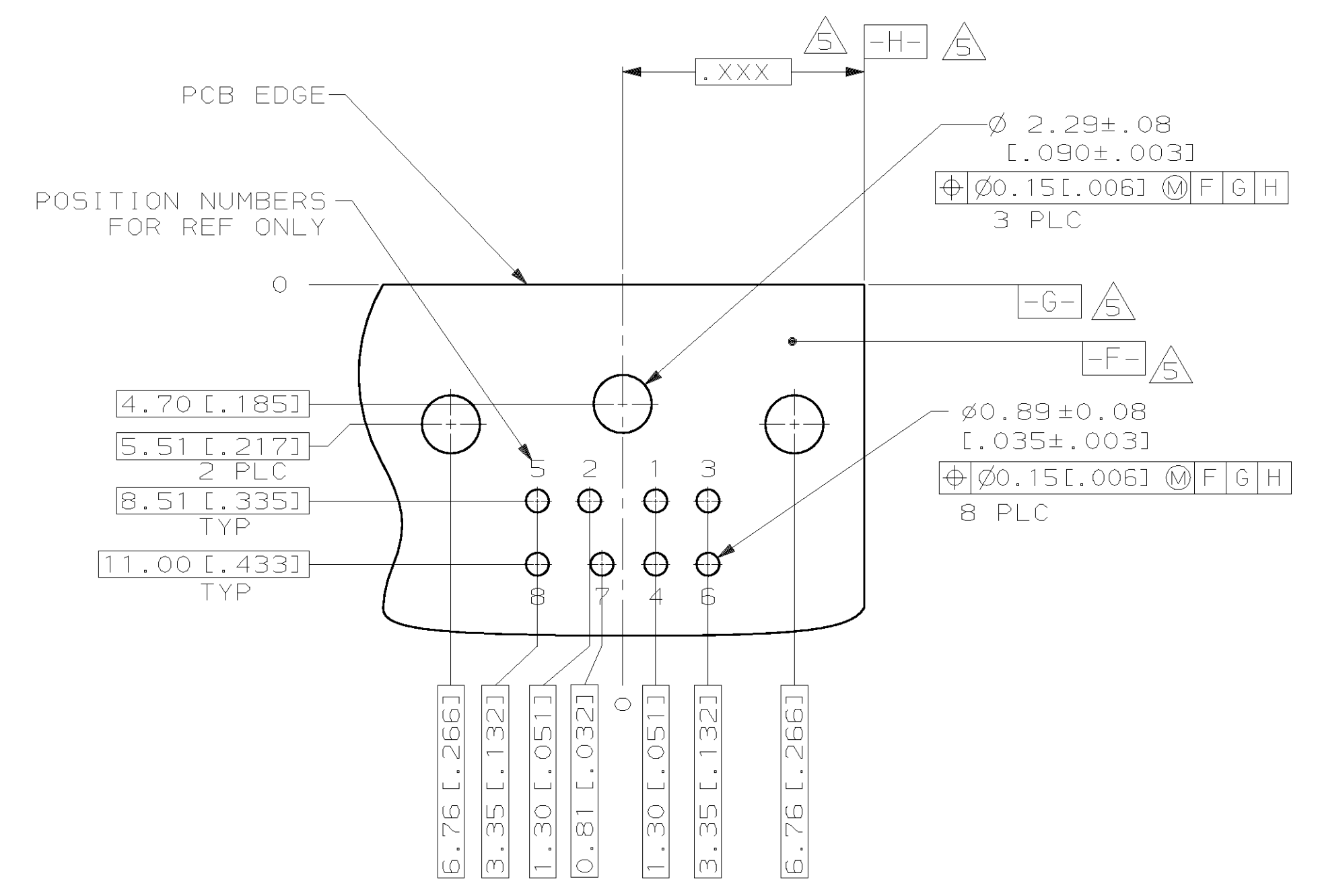
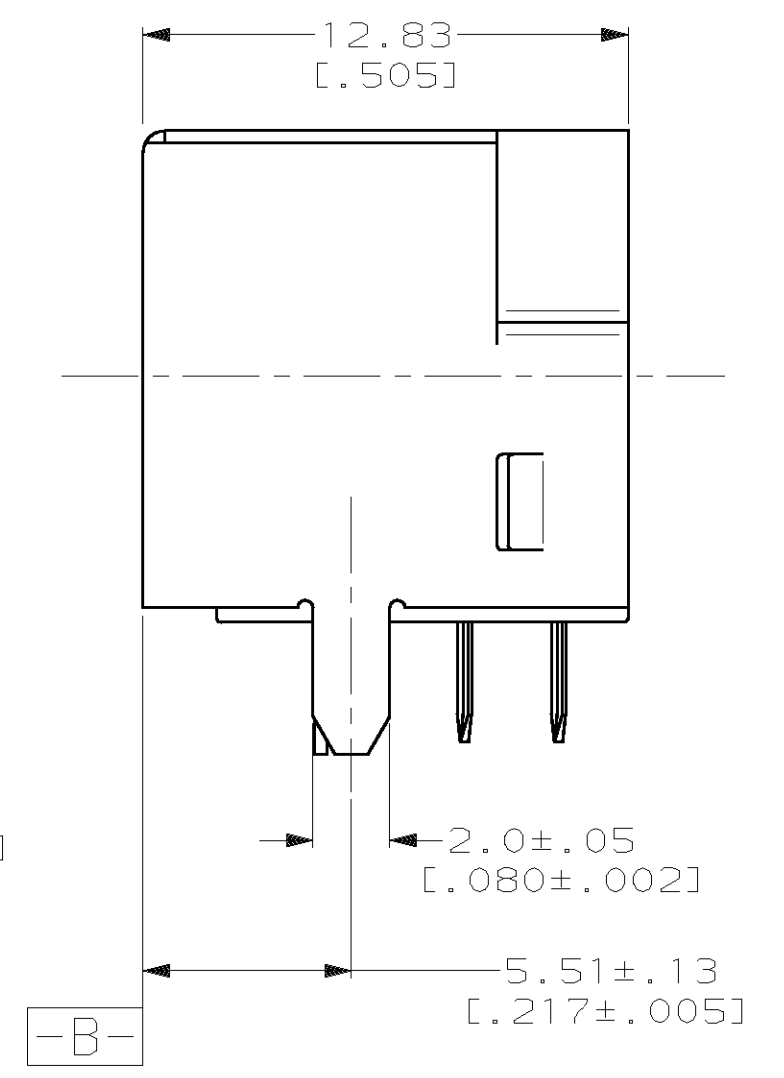
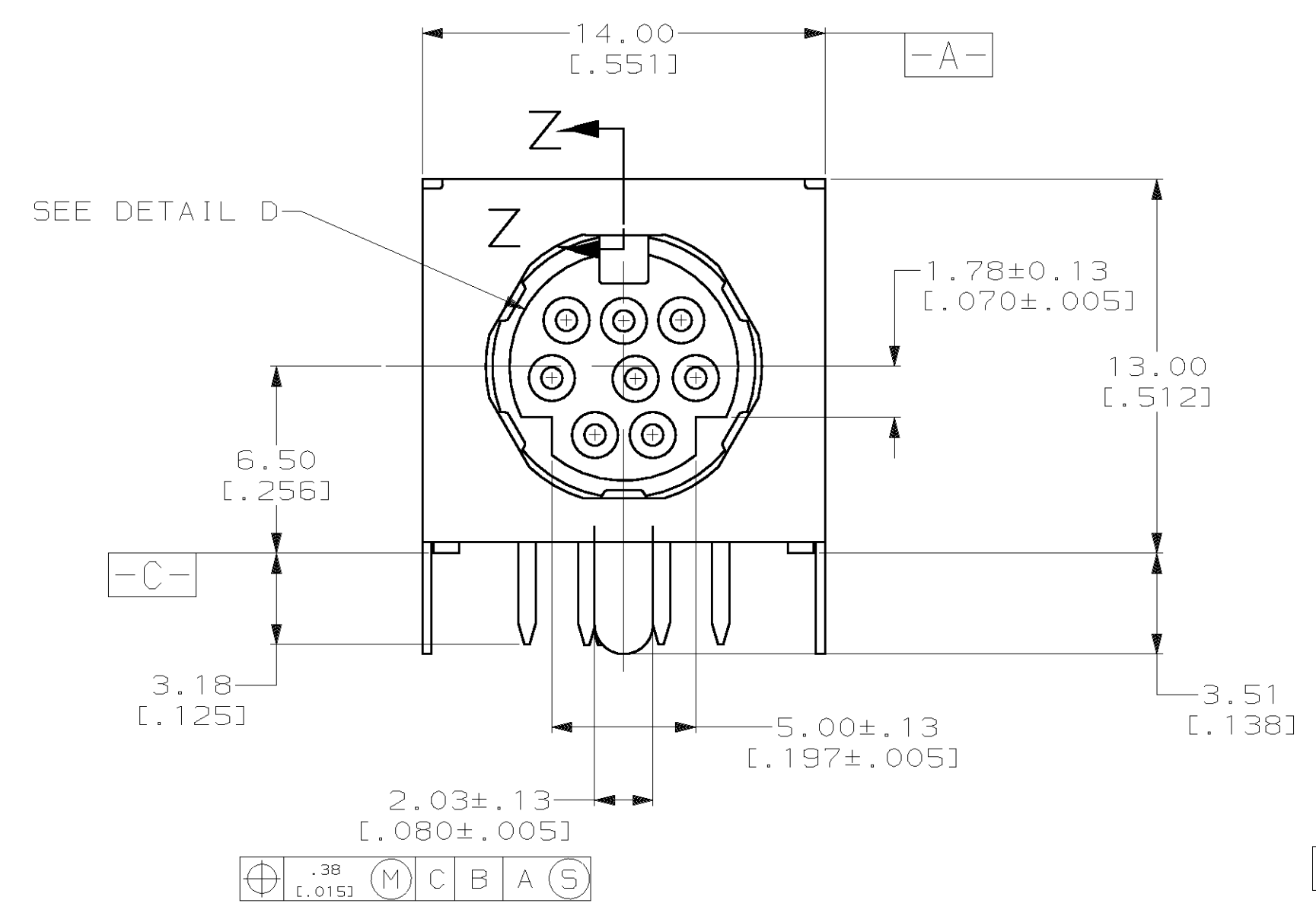


SECTION Z-Z
SCALE 10:1

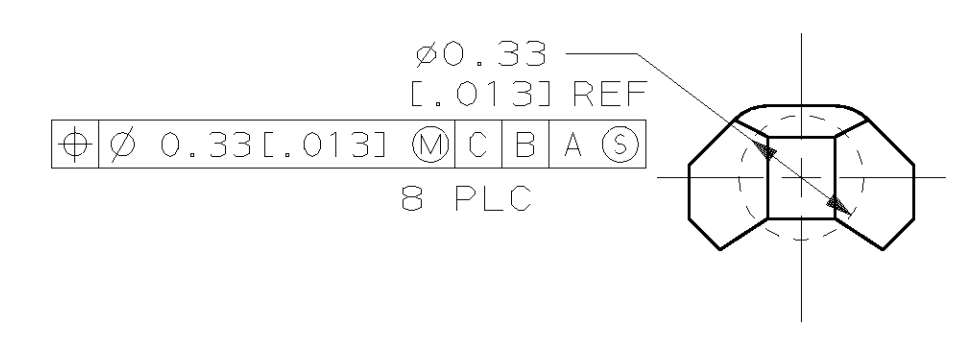
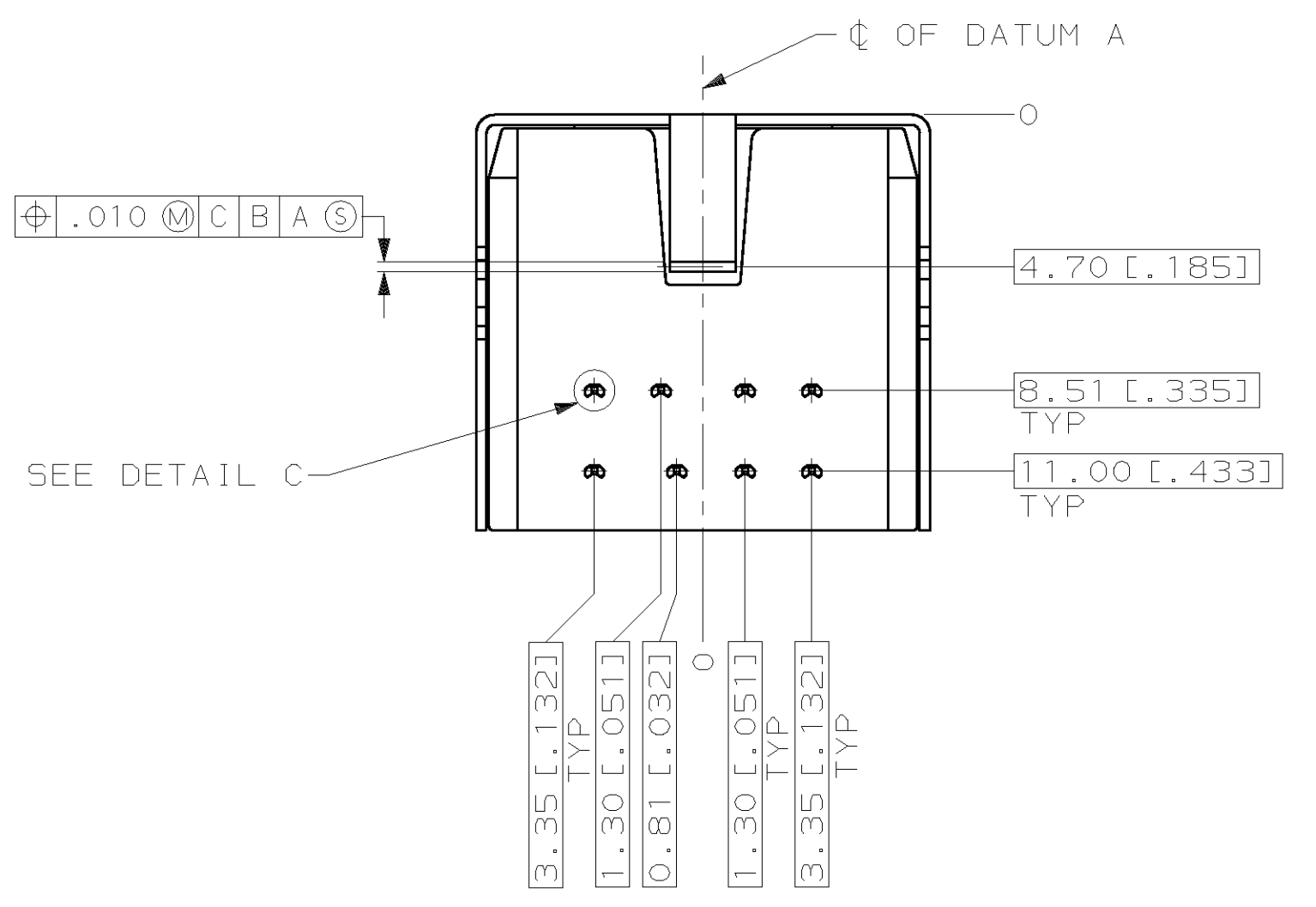


DETAIL D
8 PIN FACE

- 1 RECEPTACLE CONTACTS: COPPER ALLOY.
RECEPTACLE SHIELD: COPPER ALLOY.
HOUSING: THERMOPLASTIC, BLACK, 94V-0 RATED.
- 2 PLATING:
RECEPTACLE CONTACTS - GOLD PLATED .00076 MIN [.000030 MIN] THICK
ON MATING END, TIN-LEAD PLATED .0030 MIN [.000120 MIN] THICK
ON SOLDER TAIL ALL OVER .0013 MIN [.000050 MIN] THICK NICKEL.
- 3 PLATING:
RECEPTACLE SHIELD - 0.003 MIN [.000118 MIN] THICK BRIGHT TIN.
- 4. RECEPTACLE ASSEMBLY MATES WITH 8 PIN 9.00±.10 [.354±.004]
DIAMETER PLUG.
- 5 DATUMS AND BASIC DIMENSION SUPPLIED BY CUSTOMER.



8 PIN PCB LAYOUT
BOTTOM VIEW



DETAIL C
SCALE 50:1

| | | | | |
|--|--------------------------|----------------------------|--|--------------|
| DO NOT SCALE PRINT. UNLESS SPECIFIED DIMENSIONS IN mm [INCHES] TOLERANCES ON: | | DR 1-24-89 P.C05M05 | AMP INCORPORATED Harrisburg, Pa. 17105 | |
| 2 PLC DEC ± | 3 PLC DEC ± 0.381 [.015] | CHK 1-24-89 C.OHL | | |
| ANGLES ± 0°30' | | APPD 1-24-89 B.H.MOSSER | NAME | |
| MATERIAL | | APPD 1-24-89 E.C.MYERS | RECEPTACLE ASSY, 8 POS, RIGHT ANGLE, MINIATURE CIRCULAR DIN | |
| FINISH | | PRODUCT SPEC 108-1225 | SIZE | FSCM NO |
| | | APPLICATION SPEC | D 00779 | DRAWING NO |
| | | WEIGHT | SCALE 5:1 | 749267 |
| | | | | SHEET 1 OF 1 |

749267-1
PART NO