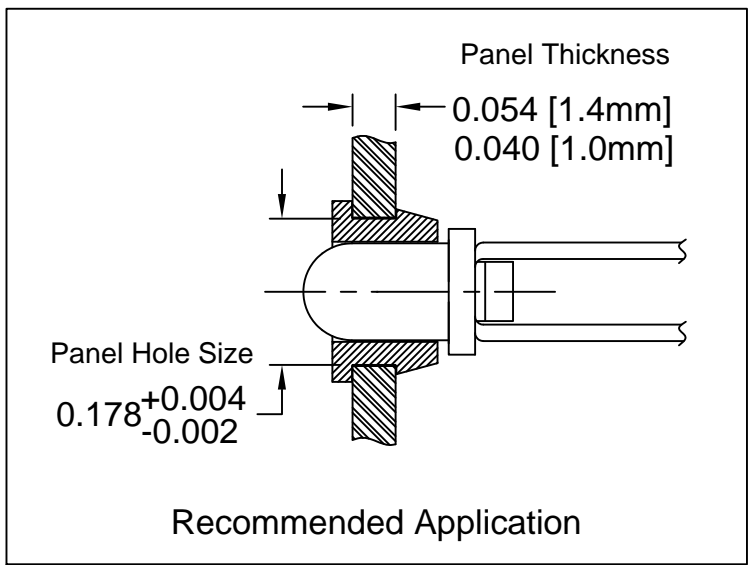
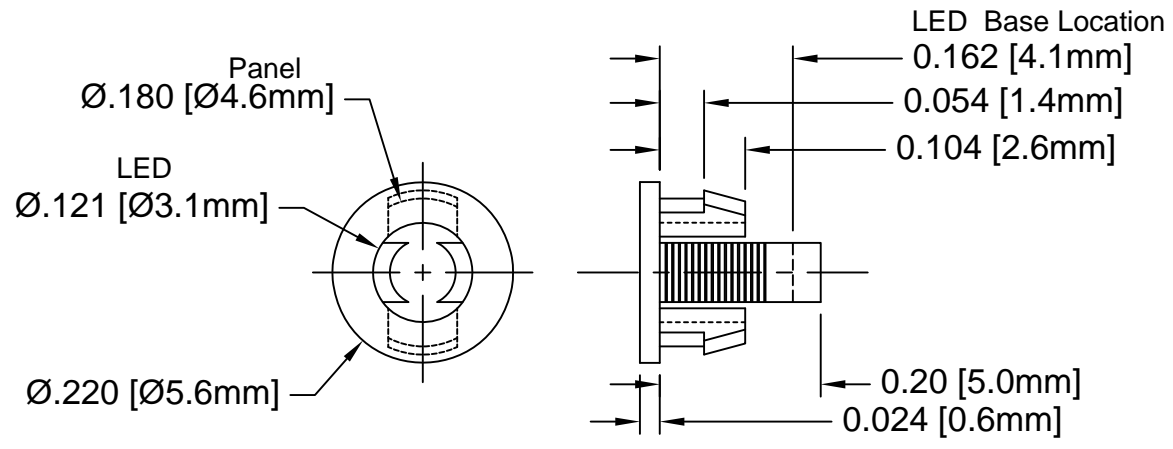

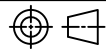


REV.	DESCRIPTION	DATE	APPROVED
D	Engineering Update w/o Changes	02/24/04	M. C.
E	Removed Material Code	05/28/16	J. C.



- 2. MATERIAL: NYLON 6/6, 94V-2, BLACK.
- 1. GENERAL SPECIFICATIONS: BIVAR MOLDED COMPONENT SPECIFICATION BV00-E101.

STANDARD TOLERANCE (UNLESS OTHERWISE SPECIFIED)		 4 THOMAS, IRVINE, CA. 92618 TEL: (949) 951-8808 FAX: (949) 951-3974	
DECIMALS	ANGULAR		
.X ± .1	X° ± 1°	 TITLE: T-1 (3mm) LED SELF-RETAINING CLIP	
.XX ± .01			
.XXX ± .005		PART NO: C-103-SR	
DESIGNED: D. Green	DATE: 05/23/02	REVISION: E	
CHECKED: M. Chen	DATE: 06/03/02	CAGE CODE : 32559 SHEET # 1 OF 1	
		CAD GENERATED DOCUMENT. DO NOT MEASURE DRAWING.	