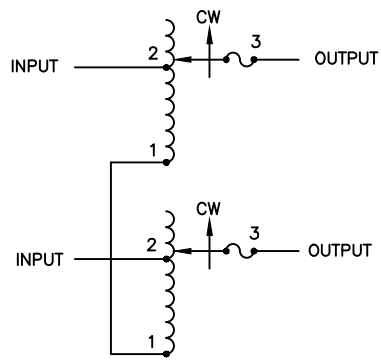
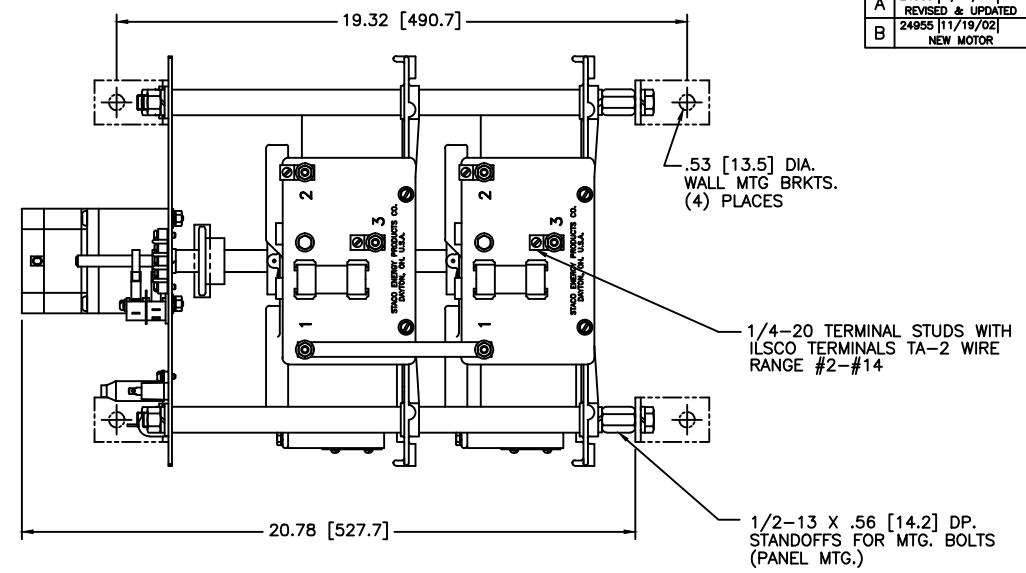
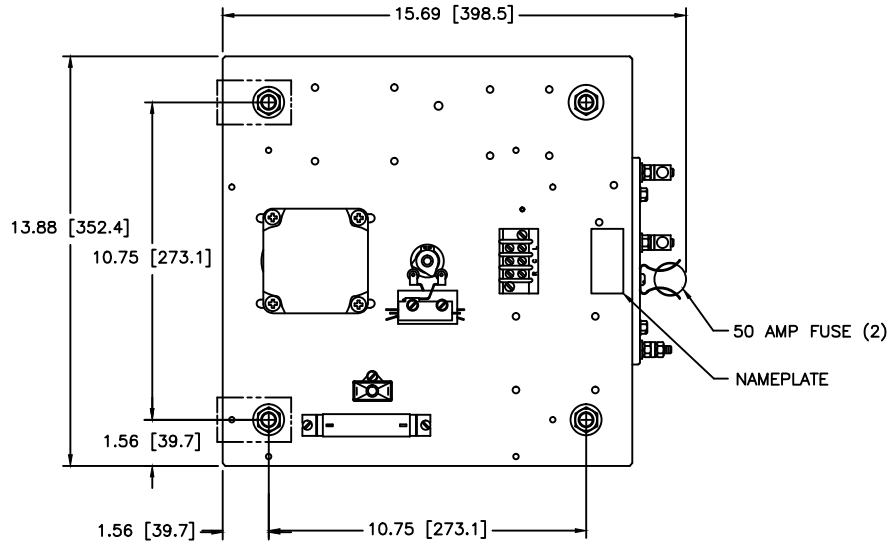
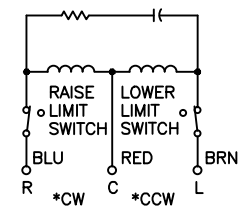


REV. NO.	031-6237		
REVISIONS			
REV.	DATE	BY	APP.
A	24309 8/11/00		
REVISED & UPDATED			
B	24955 11/19/02		
NEW MOTOR			



SCHMATIC



120V, 50/60 HZ.
 ** ROTATION AS VIEWED FROM MOTOR END
 SPEED: SEE CHART

MOTOR CIRCUIT

SPEED (SECONDS)	MODEL NO.
15	15M5011-2S
30	30M5011-2S
60	60M5011-2S

SPECIFICATIONS								
WIRING	INPUT		OUTPUT			SHAFT ROTATION FOR INCREASE VOLTAGE	TERMINAL CONNECTIONS FOR INCREASING VOLTAGE AS VIEWED FROM ROTOR END	
	VOLTS	HERTZ	VOLTS	MAX. AMPS	MAX. KVA		INPUT	OUTPUT
SINGLE PHASE SERIES	240	50/60	0-280	50	14.0	CW	2-2	3-3

<small>UNLESS OTHERWISE SPECIFIED, TOLERANCE IS AS SHOWN IN DIMENSIONS AND FINISHES ARE TO BE AS SHOWN IN THIS DRAWING. ALL DIMENSIONS ARE TO UNLESS OTHERWISE SPECIFIED.</small>	<small>UNLESS OTHERWISE SPECIFIED, TOLERANCE IS AS SHOWN IN DIMENSIONS AND FINISHES ARE TO BE AS SHOWN IN THIS DRAWING. ALL DIMENSIONS ARE TO UNLESS OTHERWISE SPECIFIED.</small>	TRADE SPEC. CONTROL DRAWING VARIABLE TRANSFORMER TYPE: M5011-2S	
<small>The information and design disclosed herein are confidential and are the property of STAGS ENERGY PRODUCTS CO. which reserves all rights in this design. Any unauthorized disclosure or use of this design for any purpose other than that intended by STAGS ENERGY PRODUCTS CO. is strictly prohibited. The foregoing does not apply to reverse engineering.</small>	<small>DATE OF ISSUE</small> 1/9/97	<small>DATE OF REVISION</small> 8/30/00	<small>REV. NO.</small> D 031-6237