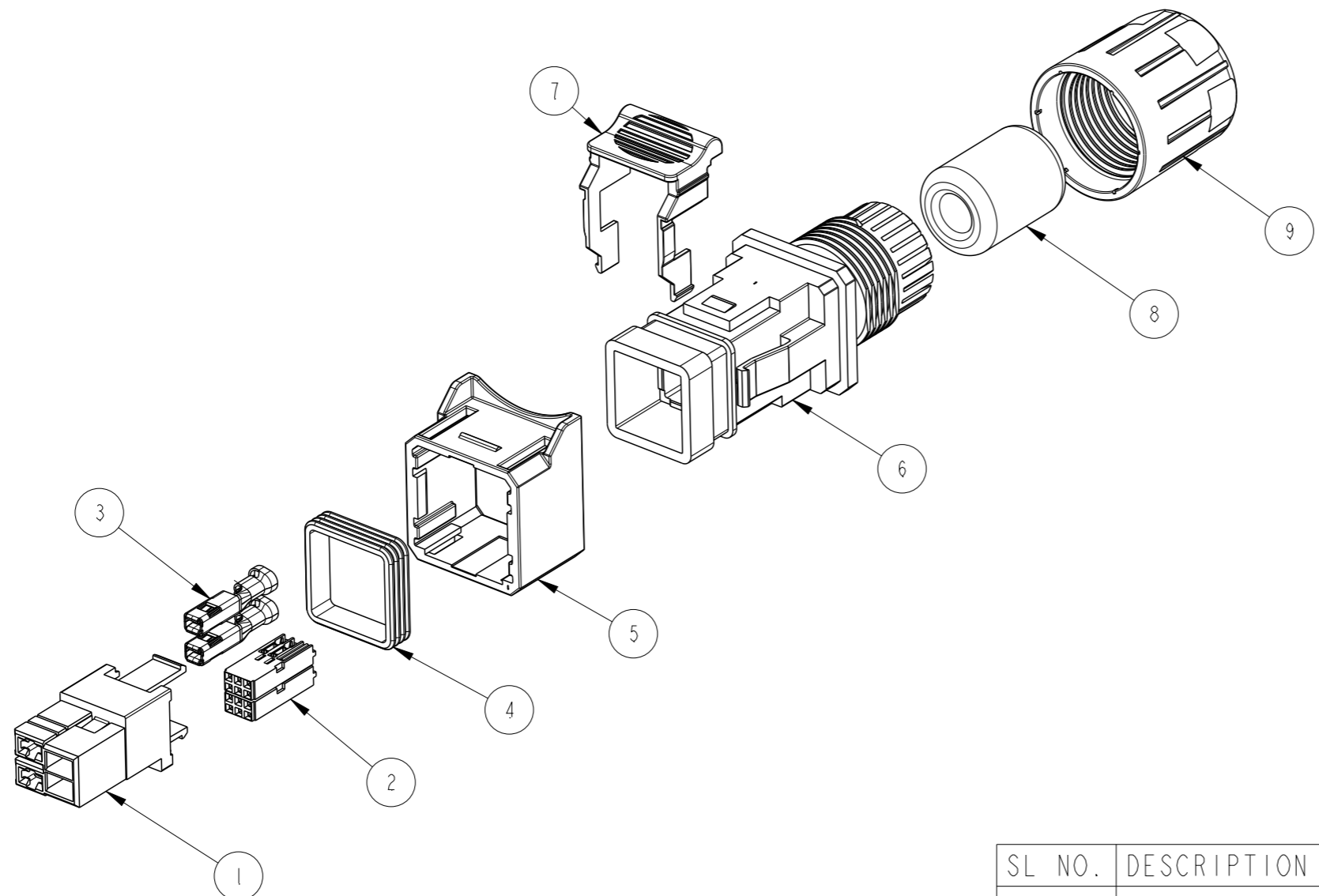
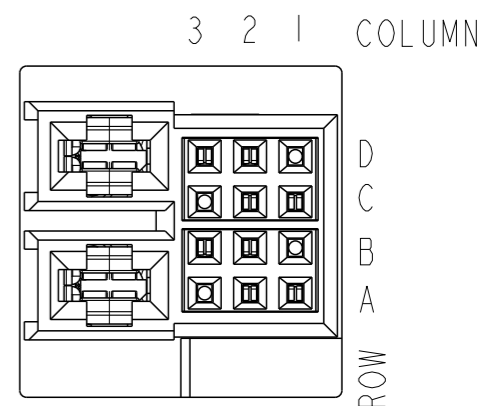


PART NUMBER
SEE TABLE IN SHEET 2

VERIO PLUG KIT ,HYBRID-8,10,12 POS SIGNAL+2 POS POWER, FIELD
TERMINABLE, PITCH 26 MM



CONNECTOR FRONT VIEW



SL NO.	DESCRIPTION	MATERIAL	QTY	REMARKS
1	HOUSING-COMBO	PBT	1	
2	TERMINAL BLOCK ASSEMBLY	PBT+COPPER ALLOY	2	
3	FEMALE POWER CONTACTS	COPPER ALLOY	2	
4	SEAL	SILICON	1	
5	SLIDE	PBT GF	1	
6	HOLDER	PBT GF	1	
7	SECONDARY LOCK	PBT GF	1	
8	GLAND	SILICON	1	
9	NUT	PBT GF	1	

spec ref		dr	Jibin John	2017/09/26	projection	mm	size	A3	scale	3:10
tolerance std		eng	B T Varghese	2017/10/26			ecn no	ELX-I-28272-1		
ISO 406		chr	-	-	product family	VERIO	rel level	Released		
ISO 1101		appr	K-Paul Bijju	2017/10/26			rel level	Released		
surface	linear	0.X	±0.3		Amphenol FCi	HYBRID-SIGNAL+PWR VERIO PLUG KIT	dwg no	10143485		rev
		0.XX	±0.13							
ISO 1302	angular	0.XXX	±0.05		cat. no.	-	Product - Customer Drw	sheet 1 of 2		B
		0°	±2°							

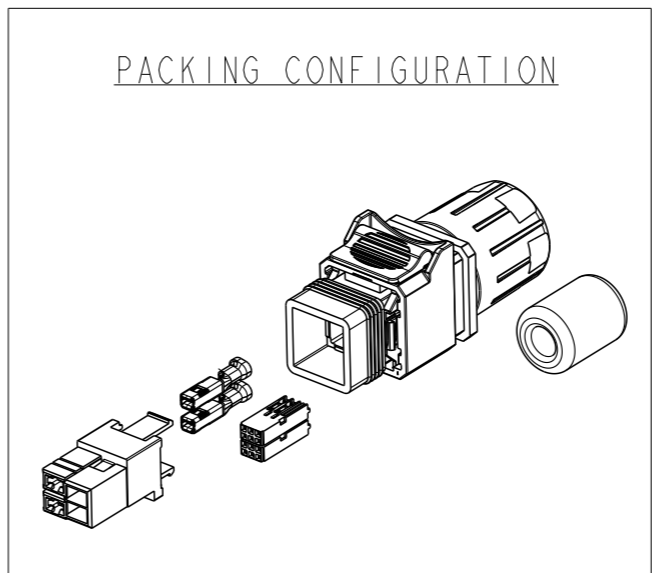
Amphenol
FCi

© 2016 AFCI

A

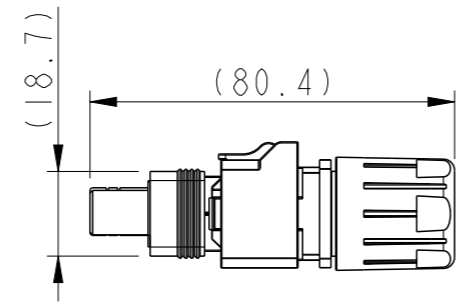
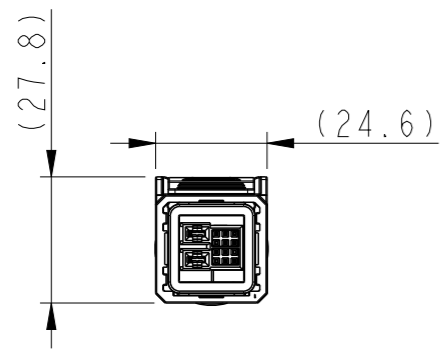
B

AFCI PART NO	ROW	COLUMN 3	COLUMN 2	COLUMN 1
10143485-101LF	D	x	x	-
	C	-	x	x
	B	x	x	-
	A	-	x	x
10143485-102LF	D	x	x	x
	C	-	x	x
	B	x	x	x
	A	-	x	x
10143485-103LF	D	x	x	x
	C	x	x	x
	B	x	x	x
	A	x	x	x



NOTES:

- 1. ALL PARTS WILL BE SUPPLIED IN BULK PACKING
- 2. PRODUCT SPEC - GS-12-1427
- 3. APPLICATION SPEC - GS-20-0523



Amphenol FCI

© 2016 AFCI

D

spec ref		dr	Jibin John	2017/09/26	projection	mm	size	A3	scale	3:10
tolerance std		eng	B T Varghese	2017/10/26			ecn no		ELX-I-28272-1	
ISO 406 ISO 1101		chr	-	-			rel level		Released	
surface		appr	K-Paul Biju	2017/10/26	product family		VERIO		rel level	
ISO 1302		Amphenol FCI		HYBRID-SIGNAL+PWR VERIO PLUG KIT		dwg no 10143485		rev B		
linear 0.X ±0.3 0.XX ±0.13 0.XXX ±0.05 angular 0° ±2°		cat. no.		-		Product - Customer Drw		sheet 2 of 2		