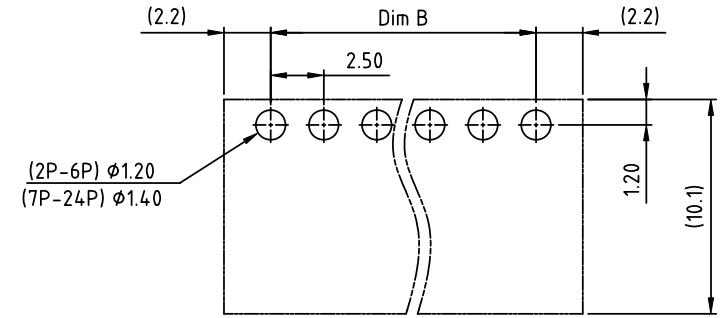
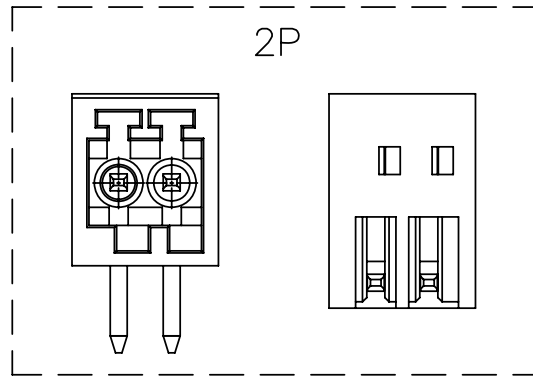
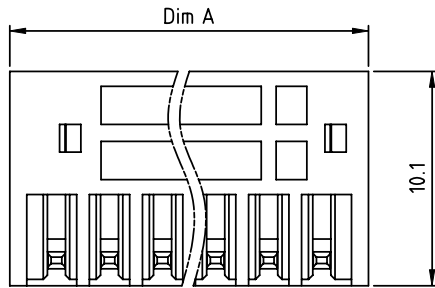
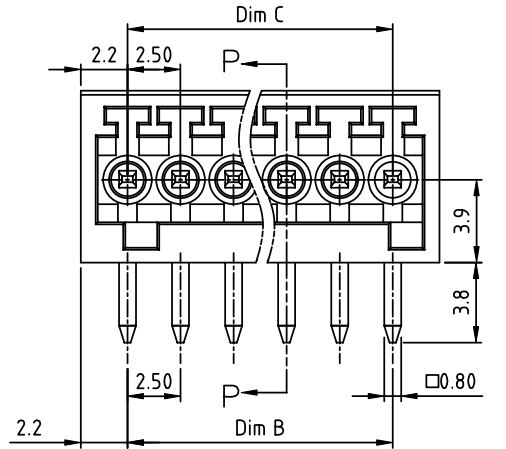
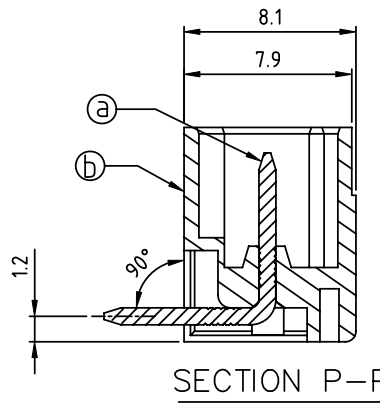


PRODUCT NUMBER	PITCH
OQxxB1x100J0G	2.50 mm



RECOMMENDED P.C.B LAYOUT
TOP VIEW



Material:

- Item ① Male contact pin: Copper Tin plated
- Item ② Terminal housing: Thermoplastic (UL94V-0)

Electrical: cULus

- Voltage rating: 150V
- Current rating: 4A
- Withstanding Voltage: 1.3KV
- Operating temperature: -40°C to +115°C
- Soldering temperature: 260°C±5°C/5 Sec
- Safety Approval: cULus

Dimension

Dim A	N×2.5+1.9
Dim B	(N-1)×2.5
Dim C	(N-1)×2.5

N=Number of poles

Poles	Tolerance
2p-6p	±0.10
7p-12p	±0.15
13p-18p	±0.20
19p-24p	±0.30

PART NO.: OQ xx B 1 x 1 00J0 G

No. OF POLES
02: 2 POLES
:
24: 24 POLES

Color

- 0 Black (RAL9005)
- 2 Red (RAL3001/D)
- 3 Orange(RAL2011/P)
- 4 Yellow(RAL1018/A)
- 5 Green(RAL6018/T)
- 6 Blue (RAL5015/A)
- 8 Grey(RAL7035/D)
- 9 White(RAL1102)
- C Green(RAL6018/U)

RoHS compliant
(lead<4%)
In copper Alloy

mat'l. code		surface ASME Y14.5	tolerance ASME Y14.5	projection	product family TERMINAL BLOCK
ltr	ecn no	dr	date	tolerances unless otherwise specified	title TERMINAL BLOCK PLUGGABLE SOCKET,RIGHT ANGLE
				angles X°±1°	
				dr	scale
				enr	FCI
				chr	
				appd	
sheet index	revision sheet	A	1		dwg no OQxxB1x100J0G
					sheet 1 of 1 size A4
					type CUSTOMER Drawing