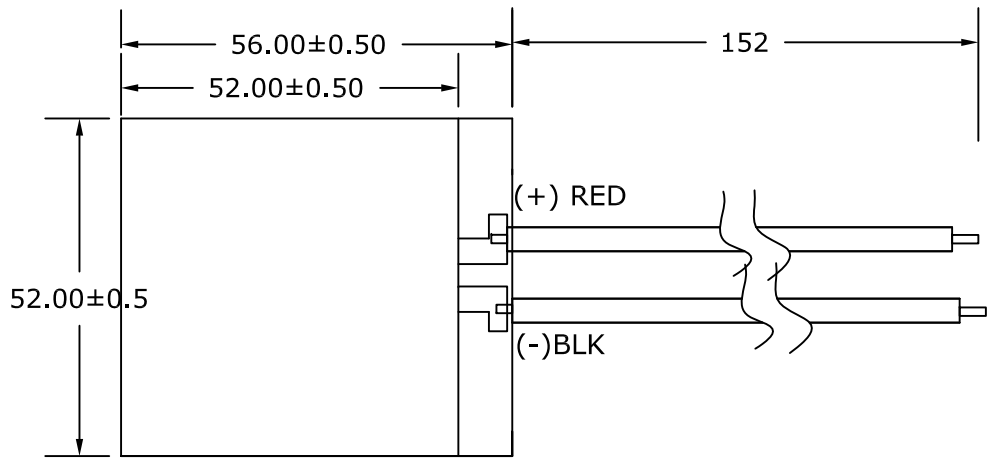
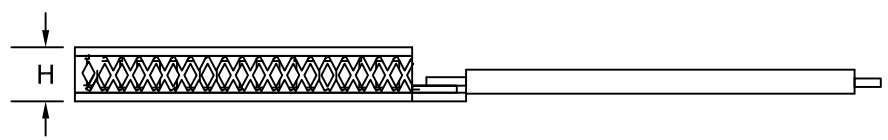


REV	BY	DATE	ECN/ERO	DESCRIPTION
00	Jinlong	09/16/17	-	PRODUCTION RELEASE




- NOTES:
- ① Wire are UL1213 AWG20,19/33 TEFLON, STRANDS.
  - ② Lapped both side, height is  $3.800 \pm 0.025$ mm, flatness and parallel is 0.025mm.
  - ③ Sealed with RTV
  - ④ ACR: 3.053 - 3.392 - 3.731 ohms(23°C)



Ceramic Material: Alumina( $Al_2O_3$ )  
Solder Construction: 232°C SbSn

REFERENCE ONLY!	
Nominal Specs (@25°C)	
<b>I<sub>max</sub> (A)</b>	8.5
<b>U<sub>max</sub> (V)</b>	32.7
<b>Q<sub>max</sub> (W)</b>	163.0
<b>ΔT<sub>max</sub> (°C)</b>	67

NOTE:  
ALL DIMENSIONS = mm

		P/N	387001826	DESCRIPTION	ET8,288,F2,5252,TA,RT,W6
		TITLE			
4707 DETROIT AVE CLEVELAND, OHIO 44102 PH. (216) 939-2300 FAX (216) 939-2310		NAME	Jinlong	DATE	09/16/17
SURFACE FINISH 3.2 $\sqrt{\mu m}$ 125 $\sqrt{\mu in}$ (UNLESS OTHERWISE SPECIFIED) BREAK ALL EDGES; 0.015 [0.40mm] x 45°		DRAWN BY	Jinlong		
		INITIATED BY			
		APPROVAL			
DWG NO			387001826	REV	00