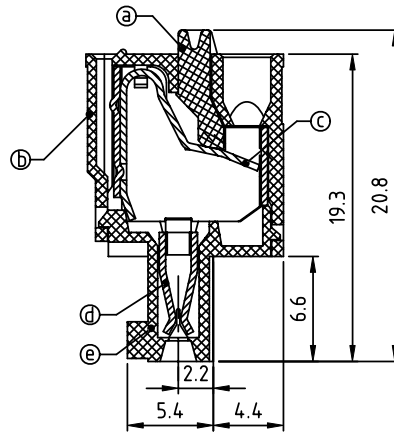
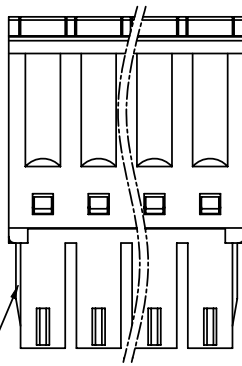
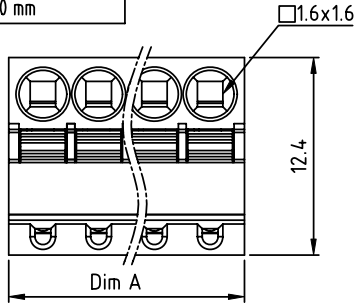
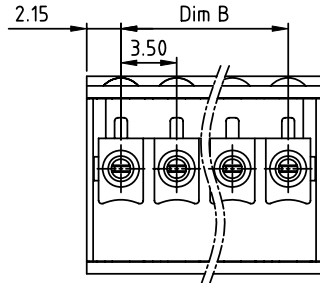


PRODUCT NUMBER	PITCH
HWxx10x000J0G	3.50 mm



2p to 6p with wedge, above 7p without wedge (including 7p)



PART NO.: HW xx 1 0 x 0 00J 0 G

N = Number of poles
 Dim A = $N \times 3.50 \pm 0.80$
 Dim B = $(N-1) \times 3.50$

Poles	Tolerance
2P-6P	± 0.10
7P-12P	± 0.15
13P-18P	± 0.20
19P-24P	± 0.30

Solid block	No. of poles	Color	RoHS compliant (lead<4%) In copper Alloy
0	2	Black (RAL9005)	
02	2 poles	Red (RAL3001/D)	
03	3 poles	Orange (RAL2011/P)	
...	...	4 Yellow (RAL1018/A)	
...	...	5 Green (RAL6018/T)	
24	24 poles	6 Blue (RAL5015/A)	
		8 Grey (RAL7035/D)	
		9 White (RAL1102)	
		C Green (RAL6018/U)	

Material:

- Item (a) Terminal lever: Thermoplastic (UL94V-0) Orange (RAL2011/P)
- Item (b) Top body: Thermoplastic (UL94V-0)
- Item (c) Spring clamp: Stainless steel
- Item (d) Female contact: PhBz. (CuSn), Tin plated
- Item (e) Bottom body: Thermoplastic (UL94V-0)

Electrical:

- Voltage rating: 300 V
- Current rating: 8 A
- Wire range:
 - Solid wire (AWG): 16-28
 - Stranded wire (AWG): 16-28
- Wire strip length: 8-9 mm
- Withstanding Voltage: 1.6 KV
- Operating temperature: -40°C to +115°C
- Safety Approval: cULus

mat'l. code		surface ASME Y14.5 ✓	tolerance ASME Y14.5	projection	product family
ltr	ecn no	dr	date	tolerances unless otherwise specified	TERMINAL BLOCK
				angles	title
				$X \pm 0.5$	TERMINAL BLOCK
				$X.X \pm 0.3$	SPRING CLAMP, PLUGGABLE PLUG
				$X^* \pm 1^*$	scale
				dr EVIN ZHONG 051514	dwg no
				enr EVIN ZHONG 051514	sheet 1 of 1
				chr HANKE FENG 051514	size
				appd SHI JUN 051514	A4
sheet index	revision	A			type
	sheet	1			CUSTOMER Drawing