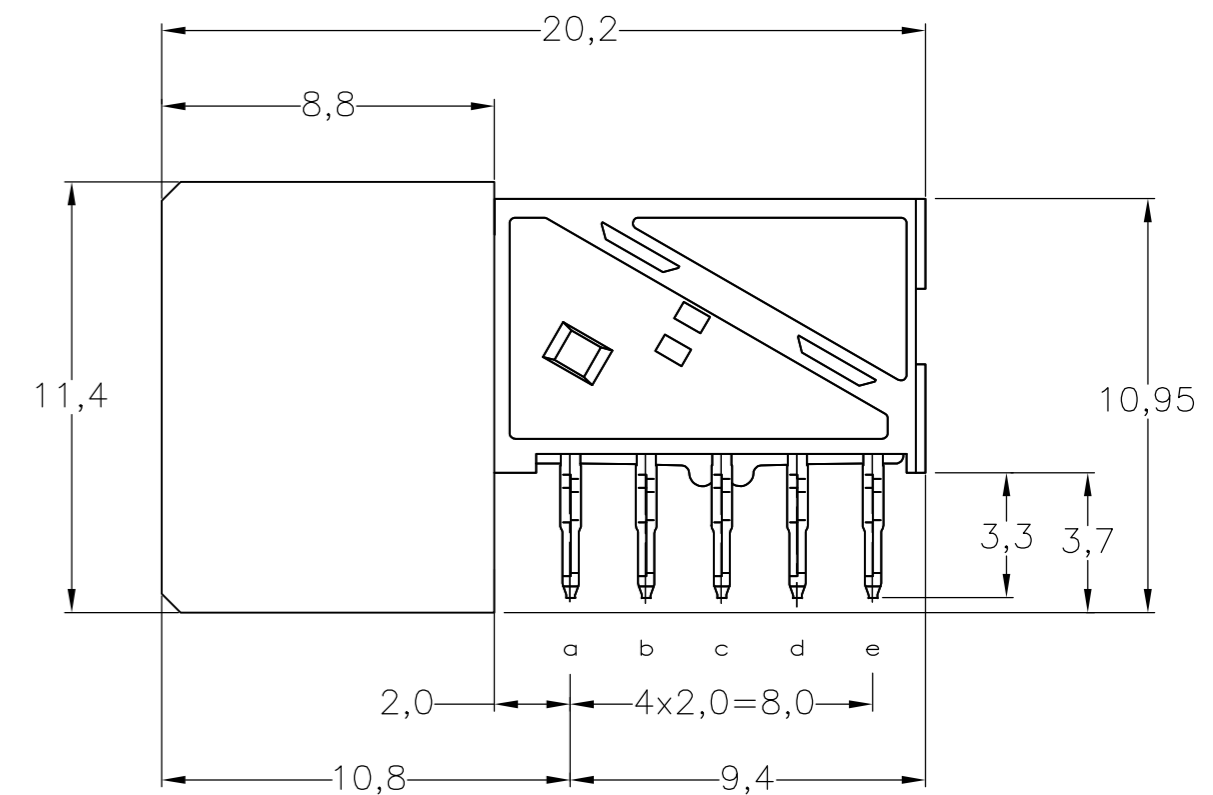
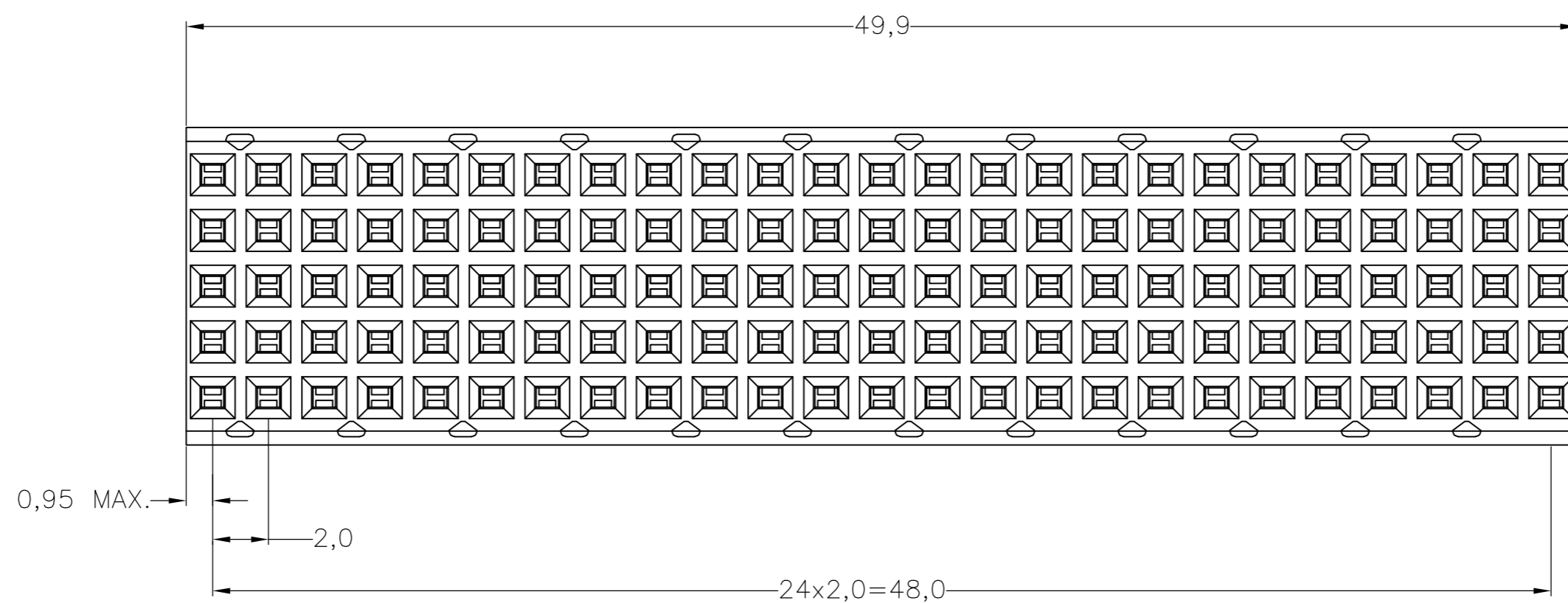
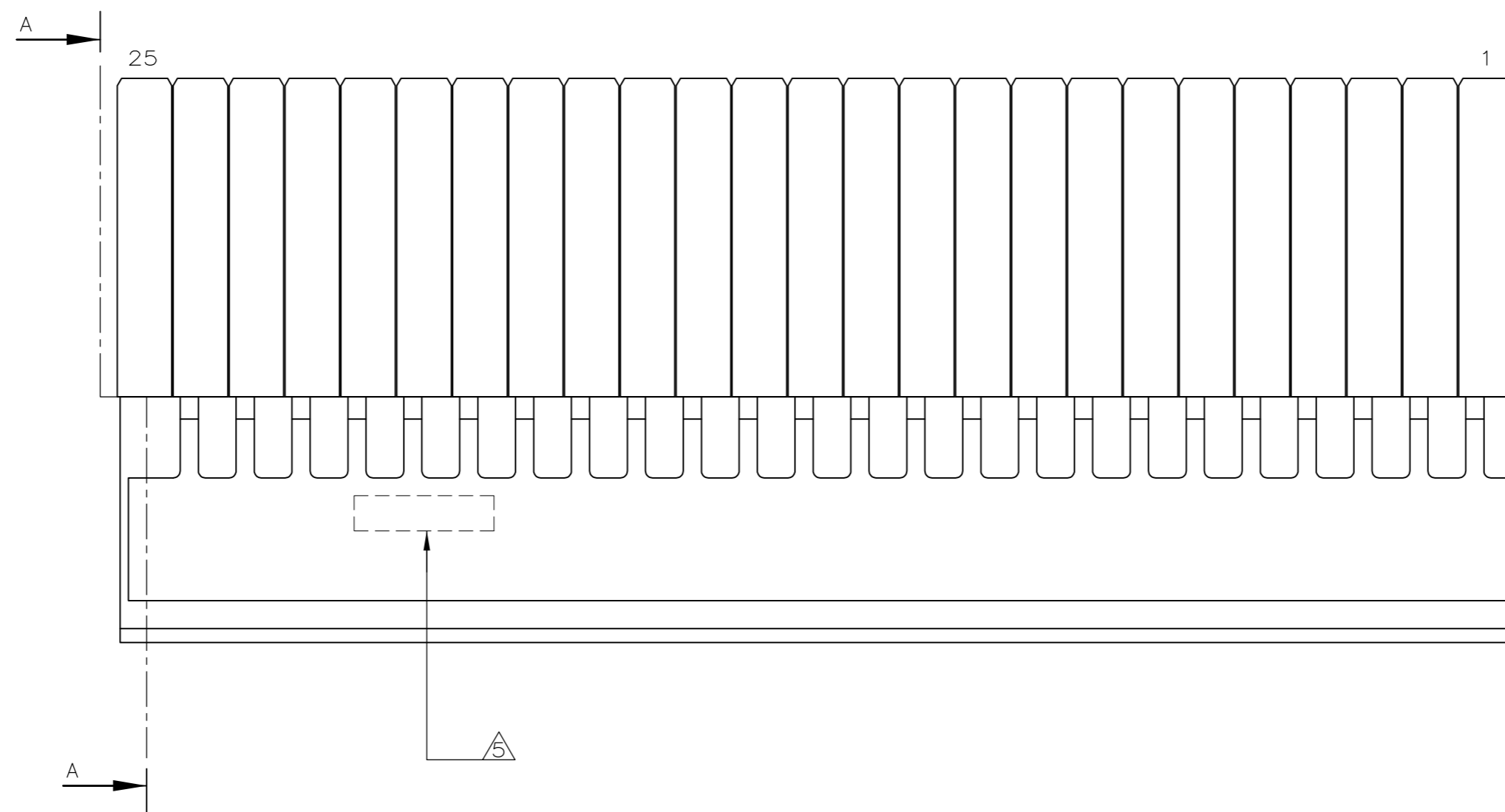
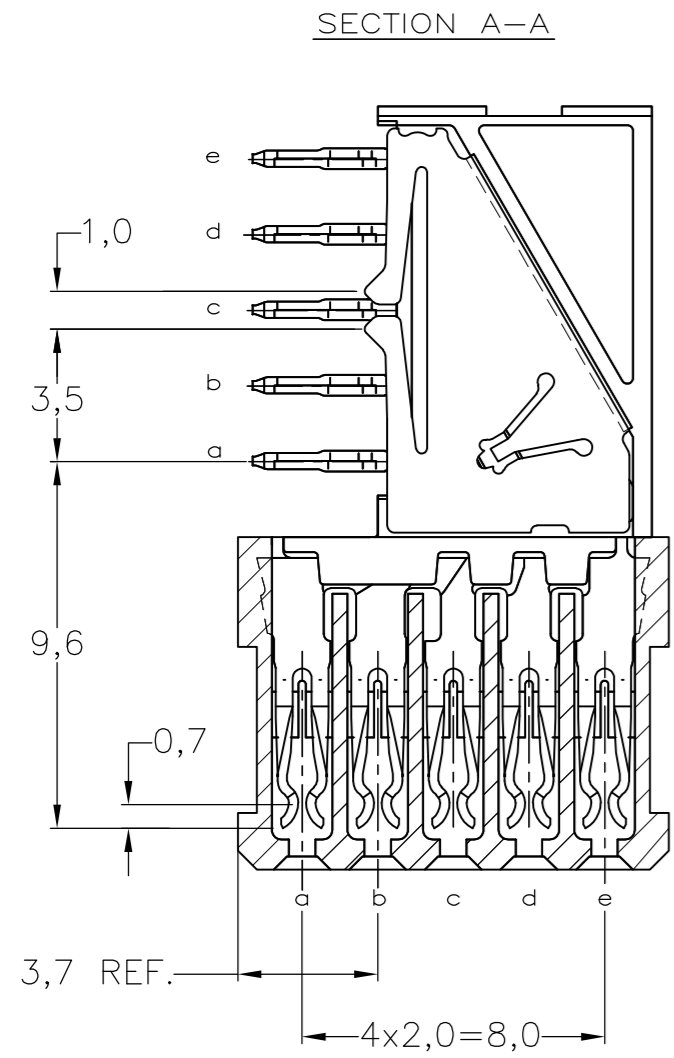


THIS DRAWING IS UNPUBLISHED. RELEASED FOR PUBLICATION
 © COPYRIGHT BY TYCO ELECTRONICS CORPORATION. ALL RIGHTS RESERVED.

LOC	DIST	REVISIONS					
		P	LTR	DESCRIPTION	DATE	DWN	APVD
H	-		L1	ECR-06-002635	07-02-06	BSV	BM
			M	ECR-06-026577	14-11-06	BSV	BM
			M1	REVISED PER ECO-09-021826	06JAN10	KK	AEG
			N	ECR-12-010652	20NOV12	SY	AC

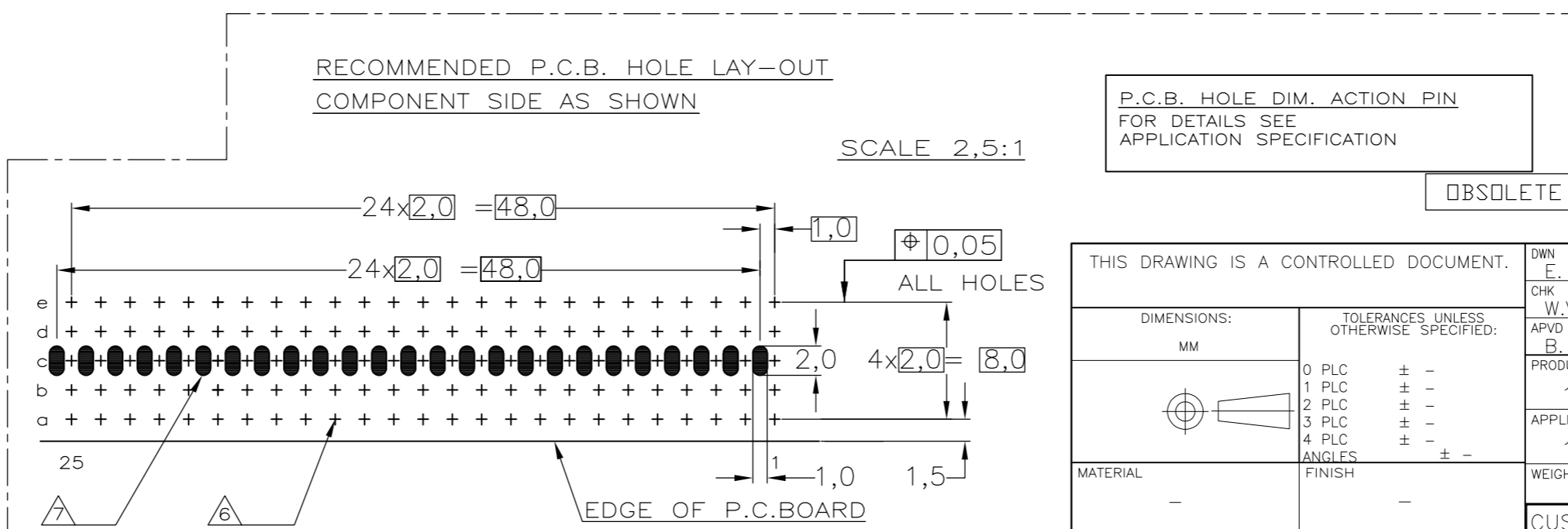


NOTES:

- ⚠ MATERIAL :
CONTACT; PHOSPHORBRONZE
REDUCED CROSS-TALK SHIELD; PHOSPHORBRONZE
HOUSING; GLASSFILLED POLYESTER (GRAY)
- ⚠ GENERAL CONTACT PLATING SPECIFICATION: UNDERPLATING (ENTIRE CONTACT):
1,27µm NICKEL MIN. AND ACTION PIN: 0,5µm TIN-LEAD MIN.
FOR PLATING OF MATING SURFACES SEE APPLICABLE SPECIFICATION
REFERENCE FOR EACH DASH NUMBER.
REDUCED CROSS-TALK SHIELD: GOLD FLASH OVER 1,27 µm NICKEL MIN.
- ⚠ CONFORMS TO ALL TESTING ACCORDING IEC 61076-4-101 PERFORMANCE LEVEL 2.
- ⚠ CONFORMS TO ALL TESTING ACCORDING IEC 61076-4-101 PERFORMANCE LEVEL 1.
- ⚠ CONNECTOR PRINTED WITH PARTNUMBER AND DATECODE
THE MARKING CAN APPEAR ON THE FRONT SIDE OR ON THE BACK SIDE.
- ⚠ PLATED-THROUGH HOLES AT 2x2mm SQUARE GRID
TOTAL 125 HOLES.
- ⚠ PLATED SPOT ONLY ON COMPONENT SIDE, FORMING ONE CONTACT
WITH PLATED THROUGH HOLES OF ROW C
- ⚠ FITS ONLY WITH INTEGRATED GROUND RETURN
UPPERSHIELD 338107-2 AND LOWERSHIELD 338108-2.
- ⚠ OBSOLETE PARTS: OBSOLETE CIS STREAMLINING PER D.RENAUD/D.SINISI

RECOMMENDED P.C.B. HOLE LAY-OUT
 COMPONENT SIDE AS SHOWN

SCALE 2,5:1



P.C.B. HOLE DIM. ACTION PIN
 FOR DETAILS SEE
 APPLICATION SPECIFICATION

THIS DRAWING IS A CONTROLLED DOCUMENT.

DIMENSIONS:	TOLERANCES UNLESS OTHERWISE SPECIFIED:
MM	
0 PLC	± -
1 PLC	± -
2 PLC	± -
3 PLC	± -
4 PLC	± -
ANGLES	± -
FINISH	-

FINISH	MATERIAL	PARTNUMBER
⚠	⚠	⚠ 100624-4
⚠	⚠	⚠ 100624-1
OBSOLETE		
DWN E. MÖHLMANN 11FEB97 CHK W.V.D.HEIJDEN 11FEB97 APVD B. MOOIJ PRODUCT SPEC 108-19082 APPLICATION SPEC 114-19029 WEIGHT - CUSTOMER DRAWING		
Tyco Electronics Corporation s-Hertogenbosch, Netherlands, Z-PACK 2MM HM TYPE B 125 POS. FEMALE CONNECTOR WITH REDUCED CROSS-TALK SHIELD		
SIZE A2	CAGE CODE 00779	DRAWING NO. C=100624
RESTRICTED TO -	SCALE NTS	SHEET 1 OF 1
REV N		