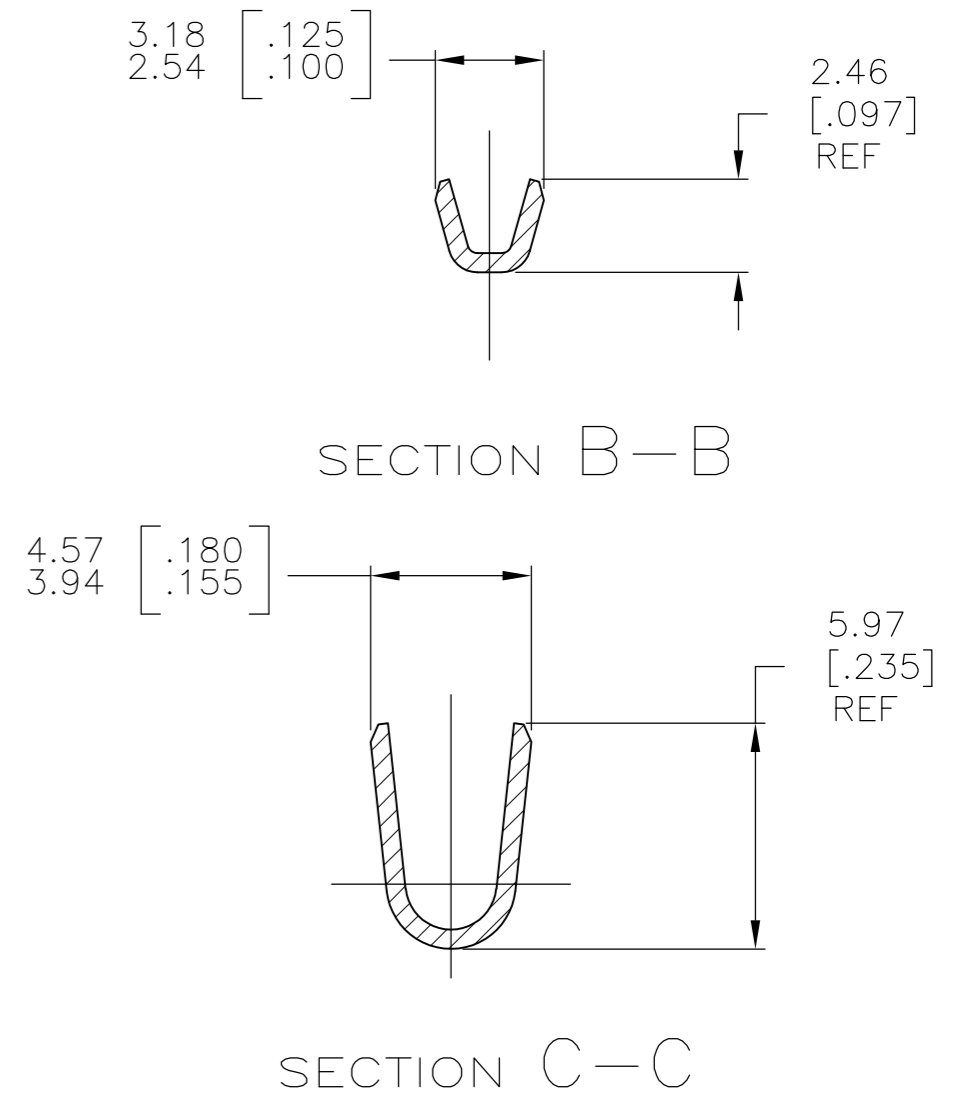
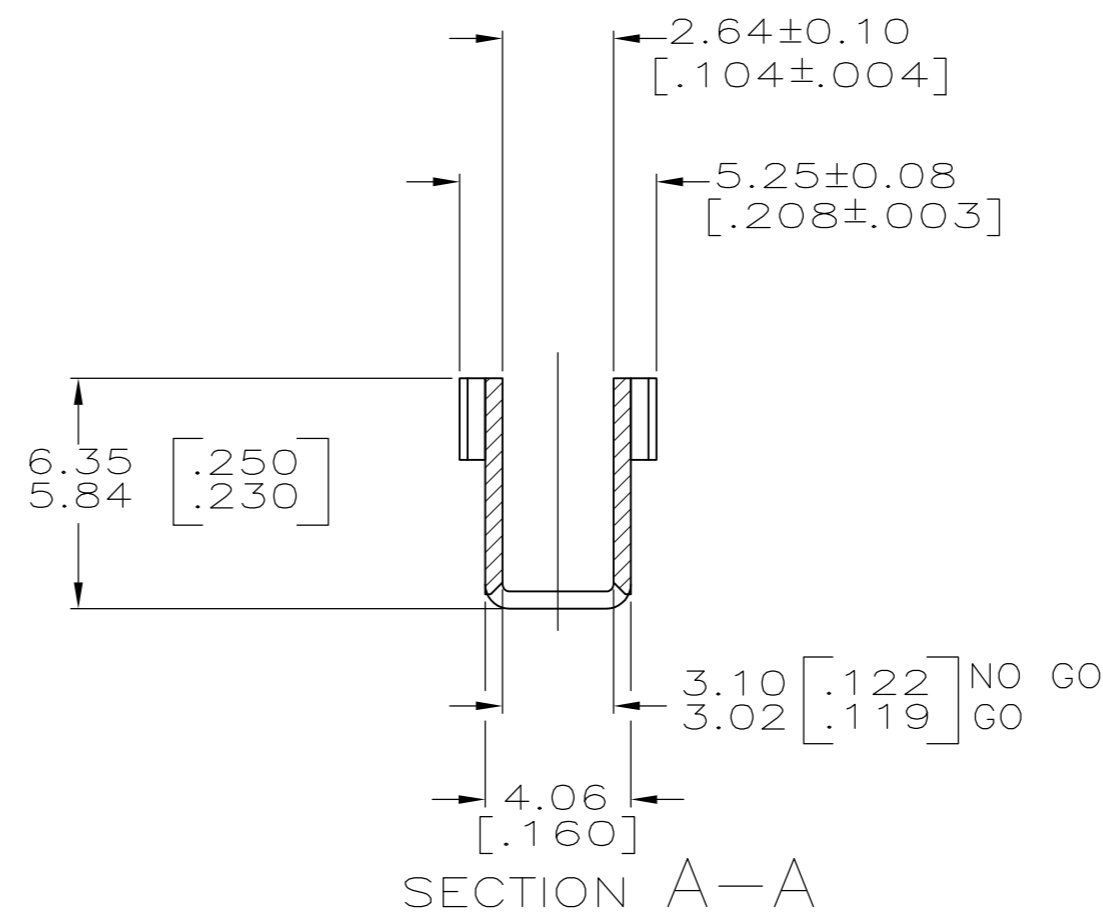
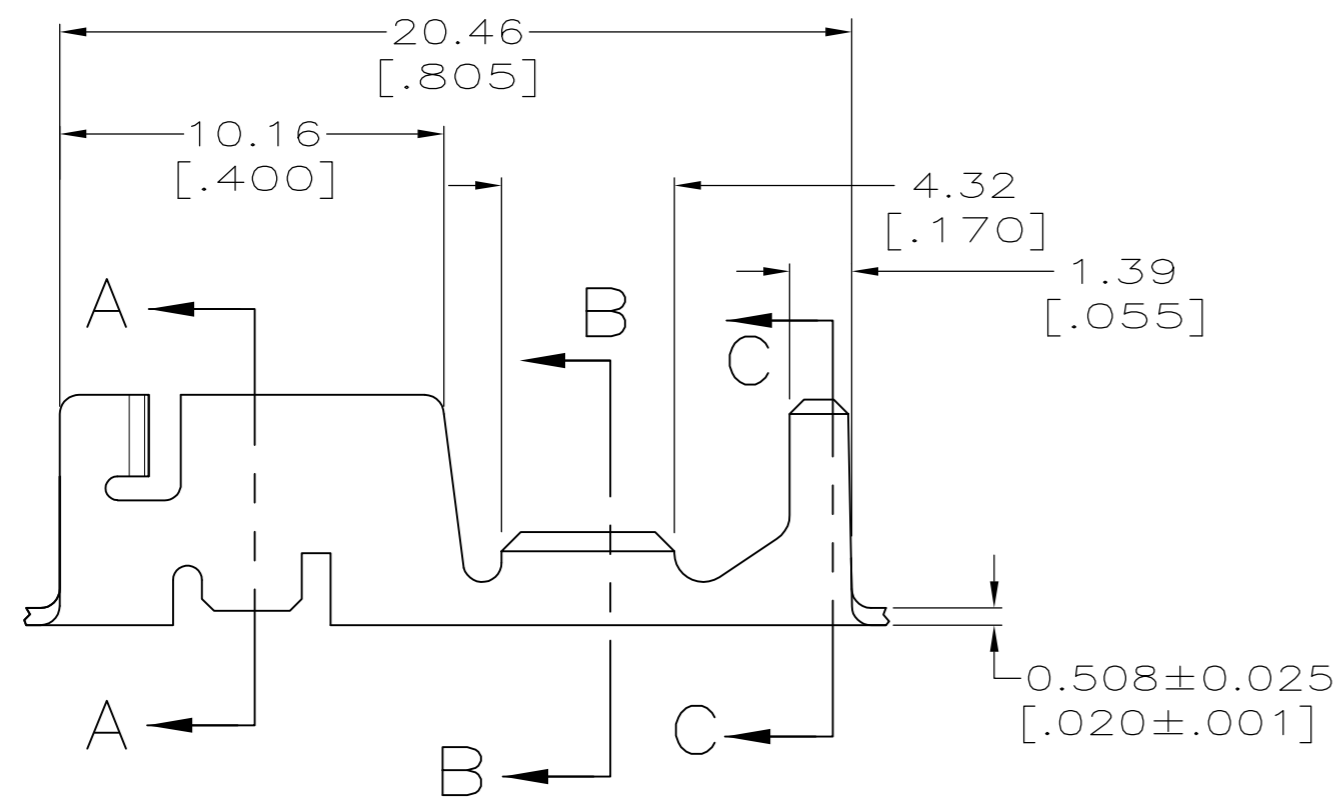
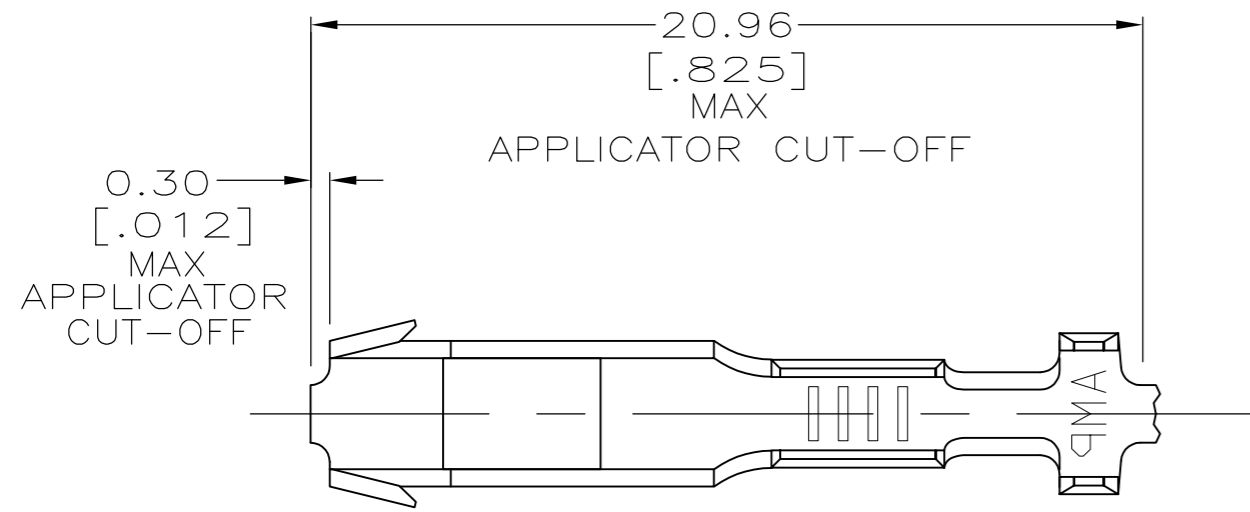


THIS DRAWING IS UNPUBLISHED. RELEASED FOR PUBLICATION
 © COPYRIGHT - By - ALL RIGHTS RESERVED.

LOC	DIST	REVISIONS					
		P	LTR	DESCRIPTION	DATE	DWN	APVD
AF	50	B		REVISED PER ECR-12-016352	16NOV12	KH	GJ

- 1 CONTINUOUS STRIP ON REELS WITH TERMINALS LOCATED ON 22.61 [.890] CENTERS.
- 2 WIRE RANGE: 0.32-0.82mm² [#22-#18] AWG, OR (2) 0.32mm² [#22] AWG.
- 3 INSULATION RANGE: 2.79 [.110] MAX DIA OR (2) 2.29 [.090] MAX DIA.
- 4 CONNECTING 2 X 0.32mm² [#22 AWG] REQUIRES THE WIRES TO BE PLACED VERTICALLY IN THE CRIMP BARRELS.



WIRE SIZE	HEIGHT ±0.051 [±.002]	WIDTH	TYPE	STRIP LENGTH ±0.38 [±.015]	WIDTH	TYPE
0.75mm ² [#18 AWG]	1.52 [.060]	2.29 [.090]	F	6.22 [.245]	3.56 [.140]	F OR O
2 X 0.32mm ² [2X#22 AWG]	1.47 [.058]					
0.50mm ² [#20 AWG]	1.42 [.056]					
0.32mm ² [#22 AWG]	1.35 [.053]					
		WIRE BARREL CRIMP			INSULATION BARREL CRIMP	

FINISH	MATERIAL	PART NUMBER
POST TIN	H03 TIN-BRASS	1742657-1

THIS DRAWING IS A CONTROLLED DOCUMENT.		DWN M.S. FEHER 16NOV2007	 TE Connectivity RECEPTACLE, CLUSTER PIN, 3.18 [.125] DIA
DIMENSIONS: mm [INCHES]	TOLERANCES UNLESS OTHERWISE SPECIFIED:	CHK G.D. PORTA 16NOV2007	
	0 PLC ± -	APVD G.D. PORTA 16NOV2007	
	1 PLC ± -	PRODUCT SPEC 108-2008	
MATERIAL SEE TABLE	2 PLC ± 0.25 [.010]	APPLICATION SPEC 114-2019	SIZE A2
	3 PLC ± -	WEIGHT -	CAGE CODE 00779
	4 PLC ± -	FINISH SEE TABLE	DRAWING NO C=1742657
	ANGLES ± -		RESTRICTED TO -
			SCALE 5:1
			SHEET 1 of 1
			REV B