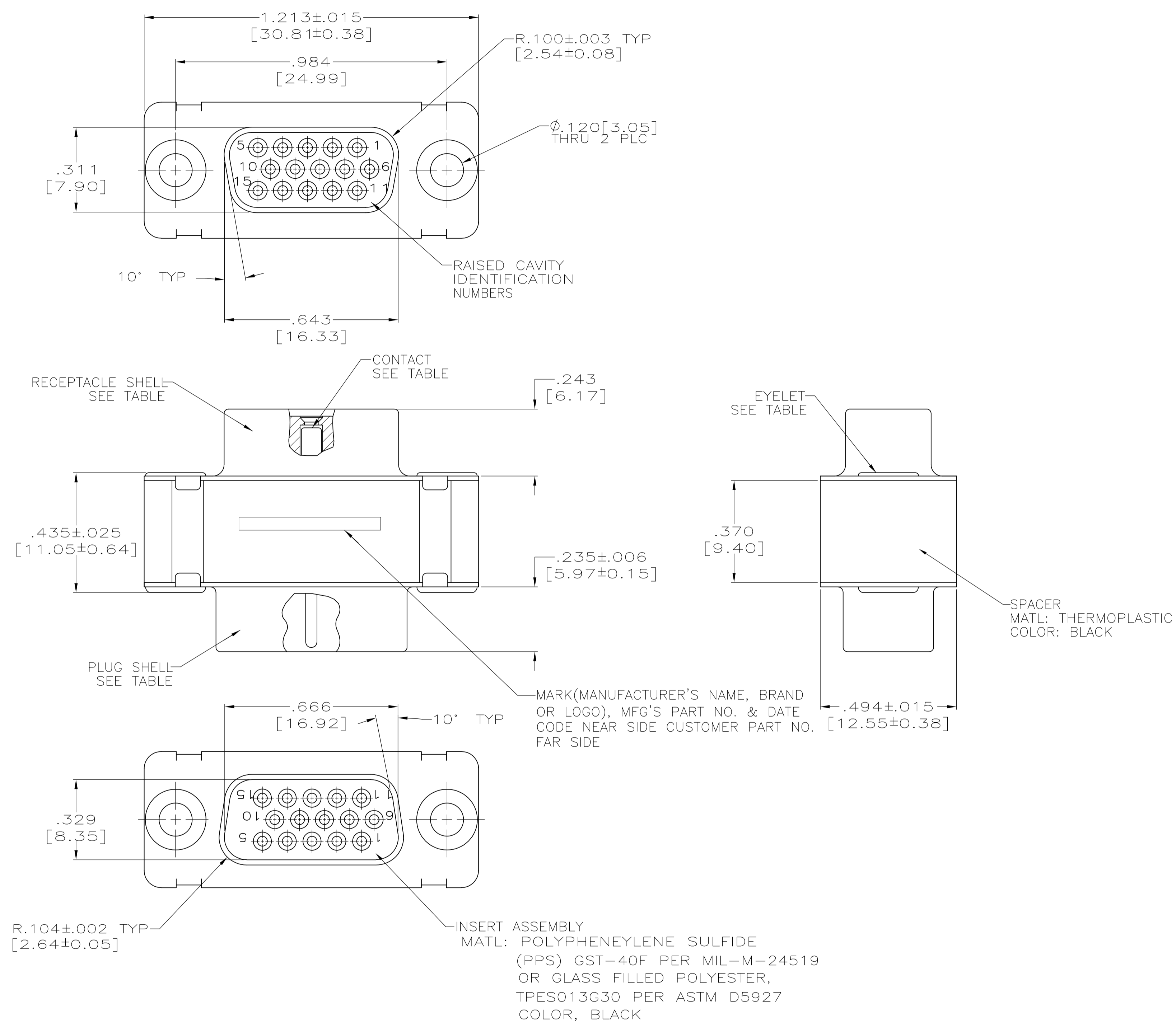
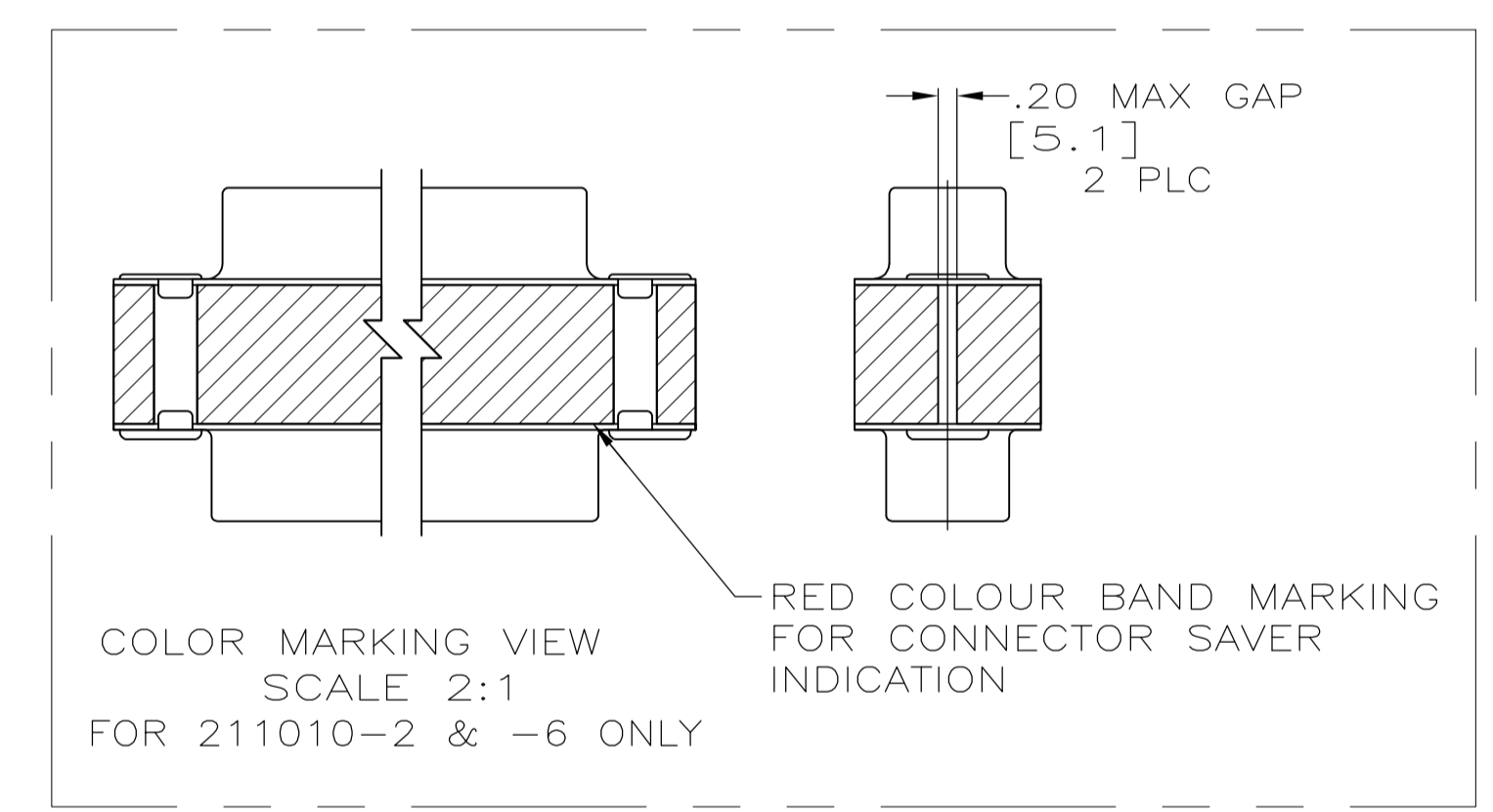


LOC		DIST		REVISIONS			
DF	DO	P	LTR	DESCRIPTION	DATE	DMN	APVD
Z				REVISED PER ECO-08-028464	21NOV08	CT	SG



- 1 CONTACTS INCLUDED IN ASSEMBLY.
- 2 MATL: STEEL, PER ASTM-A-109.
- 3 FINISH: CADIUM PER QQ-P-416.
- 4 CONTACT
BODY MATL: BERYLLIUM COPPER PER ASTM-B-197.
BODY FINISH: PLATED GOLD, .000050 MIN THK PER MIL-G-45204 OVER NICKEL, .000050 MIN THK PER QQ-N-290.
- 5 HOOD MATL: STAINLESS STEEL PER ASTM-A-167.
HOOD FINISH: PASSIVATED PER ASTM-A-380
FINISH: PLATED ZINC .00020 MIN THK PER ASTM-B-633.
YELLOW CHROMATE FINISH.
- 6 MATL: BRASS PER ASTM-B-36.
- 7 FINISH: PLATED GOLD, .000050 MIN THK PER MIL-G-45204 OVER COPPER, .000100 MIN THK PER MIL-C-14550.
- 8 CONTACT
BODY MATL: BERYLLIUM COPPER PER ASTM-B-197.
BODY AND HOOD FINISH: PLATED GOLD, .000050 MIN THK PER MIL-G-45204 OVER COPPER, .000100 MIN THK PER MIL-C-14550.
HOOD MATL: BRASS PER ASTM-B-36
- 9 FINISH: PLATED ZINC PER ASTM-B-633 .000200 MIN THK WITH SUPPLEMENTARY CHROMATE (Cr3+).



6	9	2	9	4	-	5-211010-1
6	7	6	7	4	R10002677-0106	211010-6
6	7	6	7	4	2A091-001W	211010-5
6	7	6	7	8	-	211010-4
6	7	6	7	4	(1J02-106)	211010-2
6	5	2	3	4	-	211010-1
EYELET		SHEELS		CONTACT	CUSTOMER P/N	PART NO.

THIS DRAWING IS A CONTROLLED DOCUMENT.		DIN T. THOMPSON 18AUG98	Tyco Electronics Corporation Harrisburg, PA 17105-3608	
DIMENSIONS: INCHES		CHK J. NORTON 18AUG98	APVD J. NORTON 18AUG98	
TOLERANCES UNLESS OTHERWISE SPECIFIED:		NAME PRODUCT SPEC		
0 PLC ± -	1 PLC ± -	APPLICATION SPEC		
2 PLC ± -	3 PLC ± .005(0.13)	SIZE CASE CODE DRAWING NO		
4 PLC ± -	ANGLES ± -	RESTRICTED TO		
MATERIAL SEE CALLOUTS	FINISH SEE CALLOUTS	WEIGHT -	A1 00779 C=211010	SCALE 4:1 SHEET 1 OF 1 REV Z
CUSTOMER DRAWING		CUSTOMER P/N		