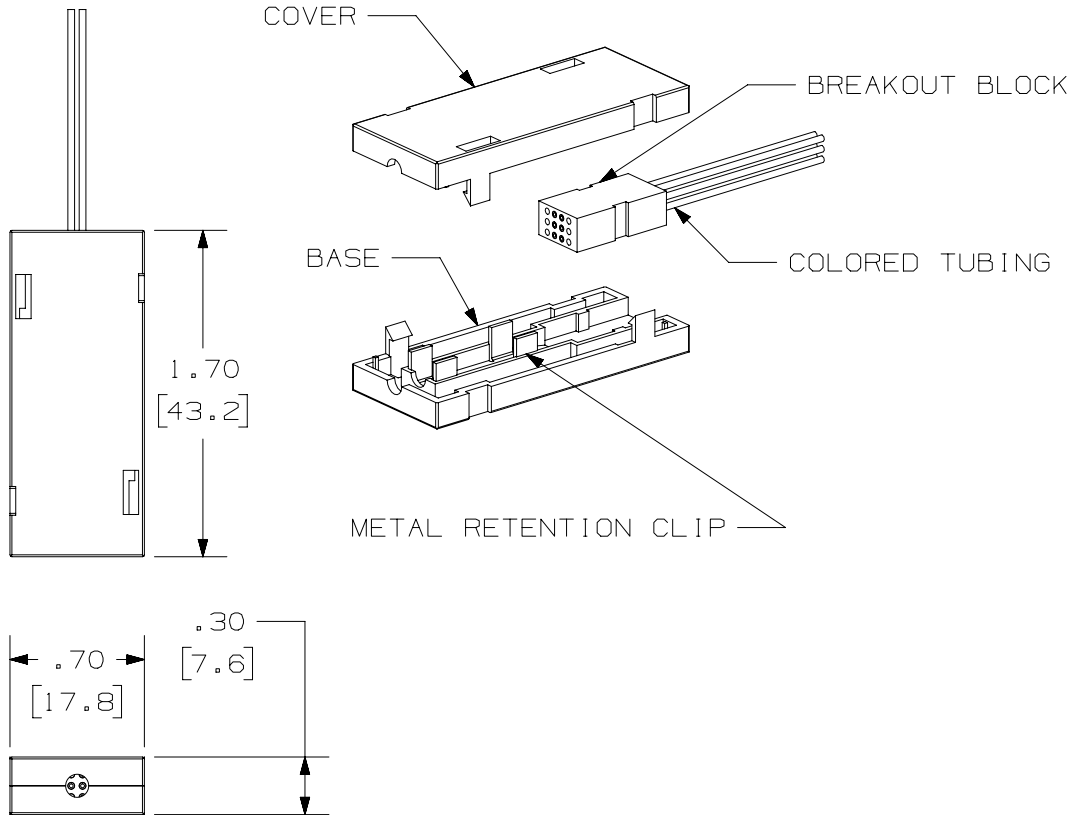


THIS COPY IS PROVIDED ON A RESTRICTED BASIS AND IS NOT TO BE USED IN ANY WAY DETRIMENTAL TO THE INTERESTS OF PANDUIT CORP.



PANDUIT P/N	WEIGHT
F06CB	.44 LB/10 PCS (220 g/10 PCS)

NOTES:

- SEE CURRENT CATALOG FOR ADDITIONAL PART NUMBER SUFFIXES TO INDICATE COLOR AND OR PACKAGE QUANTITY.
- DIMENSIONS IN PARENTHESES ARE IN METRIC.
- MATERIAL:
TUBING: HYTREL
BASE, COVER AND BREAKOUT BLOCK: ABS
- THE BREAKOUT BLOCK TUBE ASSEMBLY WILL ROUTE 250 MICRON FIBERS INTO INDIVIDUAL, 900 MICRON COLOR CODED BUFFERED TUBES.
- TALC POWDER IS PROVIDED TO FACILITATE THREADING OF THE 250 MICRON FIBERS THROUGH THE COLORED TUBING.
- THE TUBING WILL WITHSTAND A MINIMUM BEND RADIUS OF .51 INCHES (1.3 CM) WITHOUT ANY BREAKS OR KINKS.
- DOUBLE-SIDED TAPE WILL IS PROVIDED FOR SECURING THE BASE.
- THE BASE HAS A METAL RECTANGLE CLIP TO HOLD THE LOOSE TUBE IN PLACE AND WILL ACCEPT INDUSTRY STANDARD LOOSE TUBE FROM 2.00mm TO 3.20mm IN DIAMETER.
- THE BASE HAS A CAVITY FOR HOLDING AND LOCKING THE BREAKOUT BLOCK IN PLACE.
- TUBING COLOR CODE PER BELLCORE STANDARDS: 1/BLUE, 2/ORANGE, 3/GREEN, 4/BROWN, 5/SLATE, 6/WHITE
- TUBE LENGTH IS 36" ±1.00".

PART NUMBER		F06CB	
TITLE			
FIBER OPTIC 6 TUBE FAN-OUT KIT		CUSTOMER DRAWING	
ITEM REVISION NAME		M00526AB/00	
DATASET FILE NAME		M00526AB_DC/00C	
UNLESS OTHERWISE SPECIFIED, DIMENSIONAL TOLERANCES ARE: IN (mm)		MATERIAL:	
.X ±		.XXX ±	
.XX ±		ANGLES ±	
		DRAWING NUMBER:	
THIRD ANGLE PROJECTION		00526-04	
DRAWN BY	DATE	CHK	SCALE
JBA	6-29-99		NONE
SHT 1 OF 1		A	

REV	DATE	BY	CHK	APR	DESCRIPTION	ECN
1	5/19/15	JSP	WJM	RWB	A. UPDATED DRAWING TITLE BLOCK.	00526-04

D10100DA/14

2

1

2

1