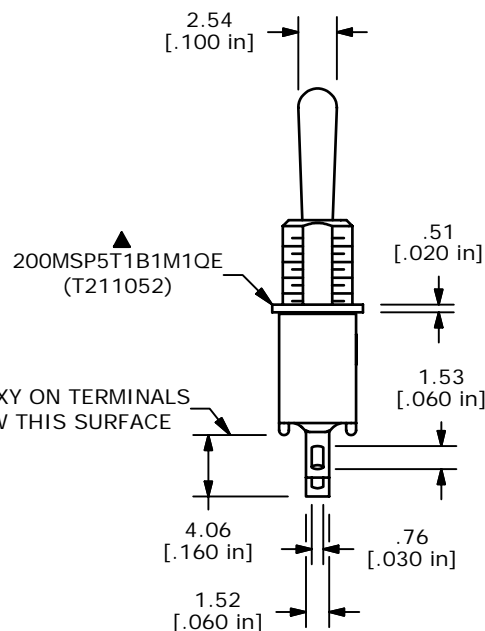
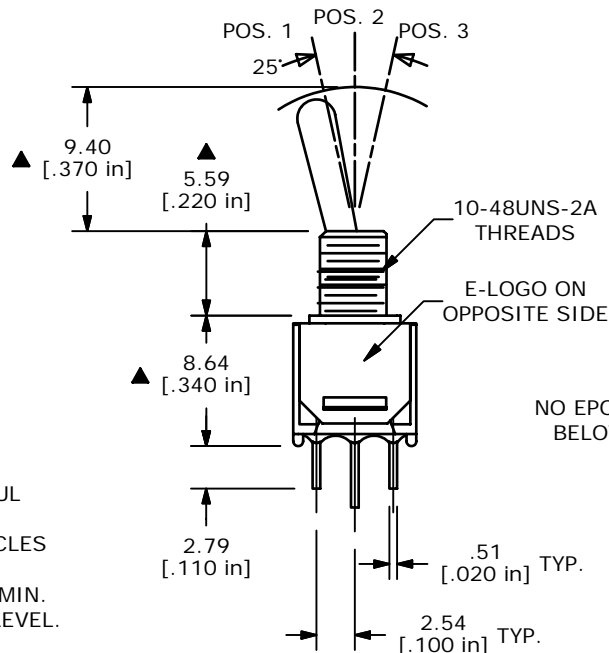
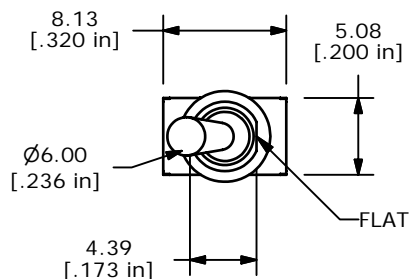
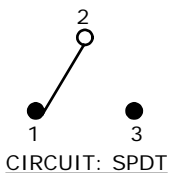


ISOMETRIC

| SWITCH FUNCTION | | |
|-----------------|--------|--------|
| POS. 1 | POS. 2 | POS. 3 |
| | | |
| ON | OFF | (ON) |
| 2-3 | OPEN | 2-1 |

(ON)=MOMENTARY



NOTE:

1. ALL DIMENSIONS IN MM [INCH]
2. GENERAL TOLERANCE: X.X=±0.4
X.XX=±0.25
3. TERMINAL NUMBERS FOR REF ONLY
4. PLATING MATERIAL: SILVER
- ▲5. RATING: 3 AMPS @ 120VAC OR 28VDC UL, CUL
1 AMPS @ 250VAC UL, CUL
6. ELECTRIC LIFE: 30,000 MAKE-AND-BREAK CYCLES AT FULL LOAD.
7. INSULATION RESISTANCE: 1,000 MEGA-OHM MIN.
8. DIELECTRIC STRENGTH: 1,000 V RMS @SEA LEVEL.
9. OPERATING TEMP.: -30°C to 85°C
- ▲10. HARDWARE TO BE SHIPPED BULK
T200001 - HEXNUT - QTY 2
T200000 - LOCKWASHER - QTY 1
T200002 - LOCKRING - QTY 1
11. ▲ DENOTES CRITICAL PARAMETER.
12. 2002/95/EC (ROHS) COMPLIANT

| | | | | |
|-----|--------|-------------------------|----------|----|
| C | 16983 | HARDWARE NOTE CHANGE | 2/8/2007 | TN |
| B | 15590 | HEX NUT FROM T200015 | 12/6/05 | PH |
| A | 14750 | RELEASED FOR PRODUCTION | 3/18/05 | AR |
| REV | PCR NO | DESCRIPTION | DATE | BY |



| | | | | |
|------------------------|---------------|-------|--------------|-------|
| TITLE 200MSP5T1B1M1QEH | | | | |
| SCALE 2:1 | DATE 2/8/2007 | DR TN | DWG ST211052 | REV C |

THE INFORMATION CONTAINED IN THIS DOCUMENT IS PROPRIETARY TO E-SWITCH AND IS NOT TO BE COPIED OR TRANSFERRED