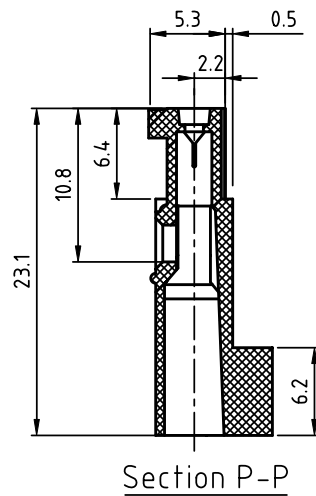
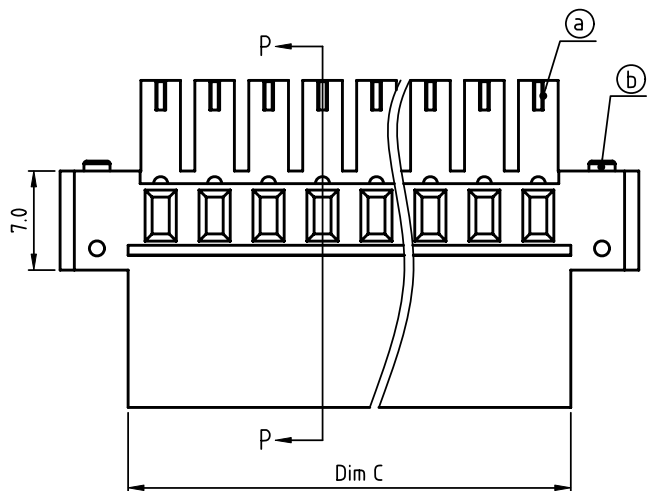
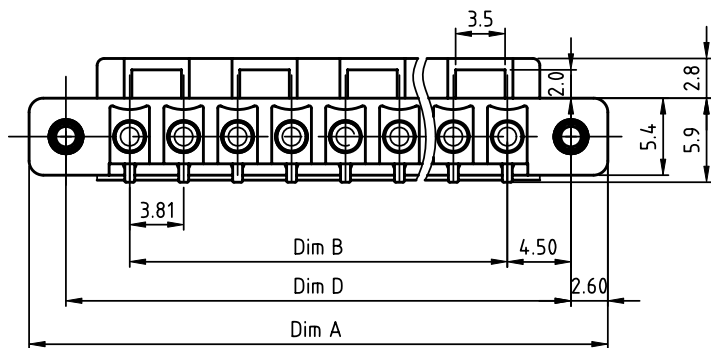


PRODUCT NUMBER	PITCH
Klxx30x300J0G	3.81 mm



Material:

- Item (a) Terminal housing: Thermoplastic (UL94 V-0)
- Item (b) With flange screw: Steel Zinc plated, M2.5"/+/-"

Electrical cULus

- Voltage rating: 160V
- Current rating: 8A
- Wire range: 1.0~1.2mm<sup>2</sup>
- Withstanding Voltage: 132KV
- Corresponding female crimp contacts: A0 3.81 series

N=number of poles

Dim A=(N-1)x3.81+14.20
Dim B=(N-1)x3.81
Dim C=(N-1)x3.81+4.60
Dim D=(N-1)x3.81+9.00

Poles	2P~6P	7P~12P	13P~18P	19P~24P
Dim A	±0.20	±0.25	±0.30	±0.35
Dim B	±0.15	±0.20	±0.25	±0.30
Dim C	±0.20	±0.25	±0.30	±0.35
Dim D	±0.20	±0.25	±0.30	±0.35

PART NO.: Kl xx 30 x 3 00J0 G

Solid block	0	Color	Black (RAL9005)	RoHS compliant	(lead<4%)
No. of poles	2	Color	Red (RAL3001/D)	In copper Alloy	
02	2 poles	3	Orange(RAL2011/P)		
03	3 poles	4	Yellow(RAL1018/A)		
...	...	5	Green(RAL6018/T)		
24	24 poles	6	Blue (RAL5015/A)		
		8	Grey(RAL7035/D)		
		9	White(RAL1102)		
		C	Green(RAL6018/U)		

mat'l. code		surface	tolerance	projection	product family
ASME Y14.5		ASME Y14.5	ASME Y14.5	TERMINAL BLOCK	TERMINAL BLOCK
ltr	ecn no	dr	date	tolerances unless otherwise specified	title
				angles	TERMINAL BLOCK
				X°±1°	PLUGGABLE PLUG, WITH FLANGE, CRIMP CONNECTION
				scale	WITH HIGH PROFILE
				dr	EVIN ZHONG 050414
				enr	EVIN ZHONG 050414
				chr	HANKE FENG 050414
				appd	SHI JUN 050414
sheet index	revision	A		FCI	dwg no
sheet	1				Klxx30x300J0G
				sheet 1 of 1	size
				A4	
				type	CUSTOMER Drawing