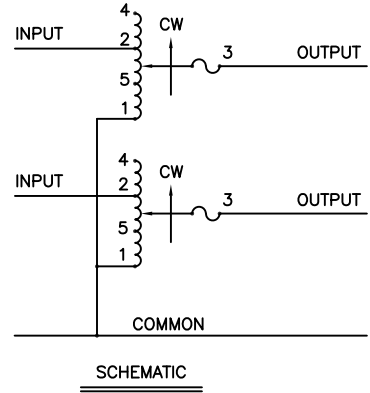


FIGURE A
 MAXIMUM OUTPUT CURRENT OF ANY
 DUAL INPUT VOLTAGE OR VOLTAGE DOUBLER
 UNIT OPERATED AT LOWER INPUT VOLTAGE.



* MAXIMUM OUTPUT CURRENT IN OUTPUT VOLTAGE RANGE FROM 0 TO 25% ABOVE LINE VOLTAGE. AT HIGHER OUTPUT VOLTAGES, OUTPUT CURRENT MUST BE REDUCED ACCORDING TO RATING CURVE, FIGURE A.
 ++ MAXIMUM KVA AT MAXIMUM OUTPUT AND CORRESPONDING DE-RATED CURRENT. MAXIMUM KVA AT LOWER OUTPUT VOLTAGES MAY BE CALCULATED FROM RATING CURVE, FIGURE A.
 V.D. = VOLTAGE DOUBLER.

WIRING	SPECIFICATIONS					SHAFT ROTATION TO INCREASE VOLTAGE	TERMINAL CONNECTIONS	
	INPUT		OUTPUT				FOR INCREASING VOLTAGE AS VIEWED FROM ROTOR END	
	VOLTS	HERTZ	VOLTS	MAX. AMPS	MAX. KVA		INPUT	JUMPER
SINGLE PHASE SERIES	480	50/60	0-480	35	16.8	CW	4-4	3-3
			0-560	35	19.6	CW	2-2	3-3
	240	50/60	0-560	35-15 V.D.	8.4 ++	CW	5-5	3-3

UNLESS OTHERWISE SPECIFIED TOLERANCES ARE:
 DIMENSIONS IN INCHES FRACTIONS DECIMALS
 .005 .010 .015 .020 .030 .040 .050 .060 .070 .080 .090 .100 .125 .150 .175 .200 .250 .300 .375 .500 .625 .750 .875 1.000 1.250 1.500 2.000 2.500 3.000 4.000 5.000 6.000 8.000 10.000
 DIMENSIONS IN MILLIMETERS FRACTIONS DECIMALS
 .05 .075 .10 .15 .20 .25 .30 .35 .40 .45 .50 .55 .60 .65 .70 .75 .80 .85 .90 .95 1.00 1.25 1.50 2.00 2.50 3.00 4.00 5.00 6.00 8.00 10.00

DATE: 11/23/99
 DESIGNED BY: TIM RAU
 CHECKED BY: [blank]
 ENGINEERED BY: [blank]

DATE: [blank]
 DATE: [blank]
 DATE: [blank]

WEIGHT APPROX: 146 LBS.
 CASE CODE NO. 6020C
 SOLE: .5=1
 SHEET 1 OF 1

NO. NOT SCALE DIM.
 CUSTOMER APPROVAL: [blank]

DATE: [blank]

REV. NO. 032-7439

