

THIS COPY IS PROVIDED ON A RESTRICTED BASIS AND IS NOT TO BE USED IN ANY WAY DETRIMENTAL TO THE INTERESTS OF PANDUIT CORP.

| PANDUIT PART NUMBER | STUD SIZE | DIMENSIONS - in [mm] | | | | |
|---------------------|-----------|----------------------|------------------|------------------|------------------|------------------|
| | | A ± .03 [0,8] | W ± .01 [0,3] | C ± .02 [0,5] | M ± .03 [0,8] | H ± .01 [0,3] |
| P2-10R | #10 | 1.46 [37,1] | .68 [17,3] | .58 [14,7] | 1.12 [28,5] | .20 [5,1] |
| P2-14R | 1/4" | 1.46 [37,1] | .68 [17,3] | .58 [14,7] | 1.12 [28,5] | .27 [6,9] |
| P2-56R | 5/16" | 1.46 [37,1] | .68 [17,3] | .58 [14,7] | 1.12 [28,5] | .33 [8,4] |
| P2-38R | 3/8" | 1.46 [37,1] | .68 [17,3] | .58 [14,7] | 1.12 [28,5] | .39 [9,9] |
| P2-12R * | 1/2" | 1.55 [39,4] | .86 [21,8] | .58 [14,7] | 1.12 [28,5] | .52 [13,2] |

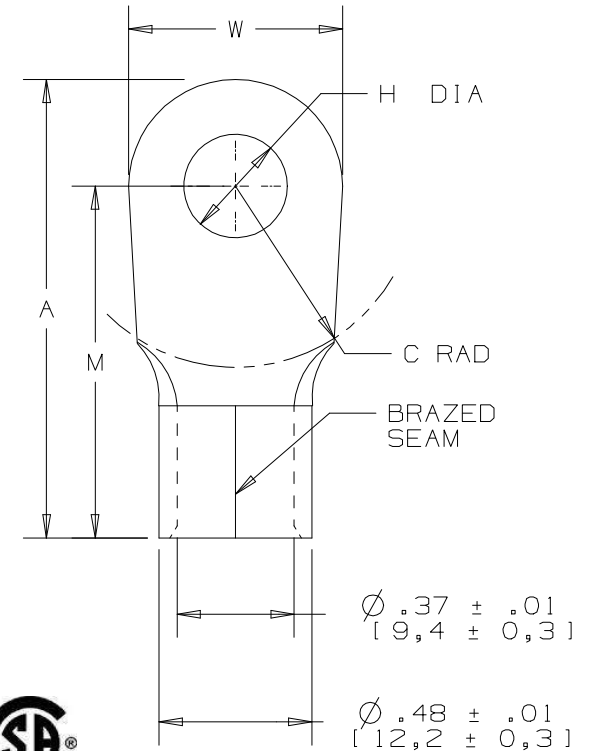
*P2-12R NOT CSA CERTIFIED

NOTES:

- UL LISTED AND CSA CERTIFIED FOR:
A. 302°F (150°C) MAX OPERATING TEMP
B. #2 AWG STRANDED COPPER WIRE
- SEE WWW.PANDUIT.COM FOR PACKAGE QUANTITIES
- MATERIAL:
A. STAMPING - .060" [1,52] THK COPPER, TIN PLATED
- DIMENSIONS IN BRACKETS ARE IN MILLIMETERS
- WIRE STRIP LENGTH: 7/16" ^{+1/32} [11,1mm] ^{+0,8} / ₋₀ ₋₀

UL & CSA TOOLS (DIES)

CT-1701 (P2)
CT-2600 (CD-2600-P2)



LISTED
587H
E52164



CERTIFIED
LR31212

| | |
|-------|-------------------------------------|
| TITLE | #2 BARREL NON-INSULATED RING TONGUE |
| | CUSTOMER DRAWING |

| | |
|--------------------|-------------|
| ITEM REVISION NAME | N41212BB/07 |
| DATASET FILE NAME | N41212BB/07 |

| | |
|---|-------------------------------|
| UNLESS OTHERWISE SPECIFIED, DIMENSIONAL TOLERANCES ARE: IN [mm] | MATERIAL: SEE NOTES |
|---|-------------------------------|

| | | | |
|---------------|--------------------|------------------------|---------------------------|
| .X ± .XX ± | .XXX ± ANGLES ± | THIRD ANGLE PROJECTION | DRAWING NUMBER: A41212 |
|---------------|--------------------|------------------------|---------------------------|

| | | | | | |
|-----------------|------|------------|---------------|------------|-----------|
| DRAWN BY DAW | DATE | CHK RLS | SCALE NONE | SHT 1 OF 1 | SIZE A |
|-----------------|------|------------|---------------|------------|-----------|

| REV | DATE | BY | CHK | APR | DESCRIPTION | ECN |
|-----|-------|-----|------|-----|--|-----------------|
| 07 | 07/15 | TMR | TMR | RGB | ADDED CT-2600 TO PKG LABEL, CSA BACK TO DWG, UPDATED DIES | N41212BB-A41212 |
| 06 | 07/14 | MBY | JHNU | RGB | REVISED NOTES, MOVED TOOLS TO TABLE, REVISED CERTIFICATION, UPDATED BORDER | N41212BB-A41212 |

B

B

A

A

D10100DA/16