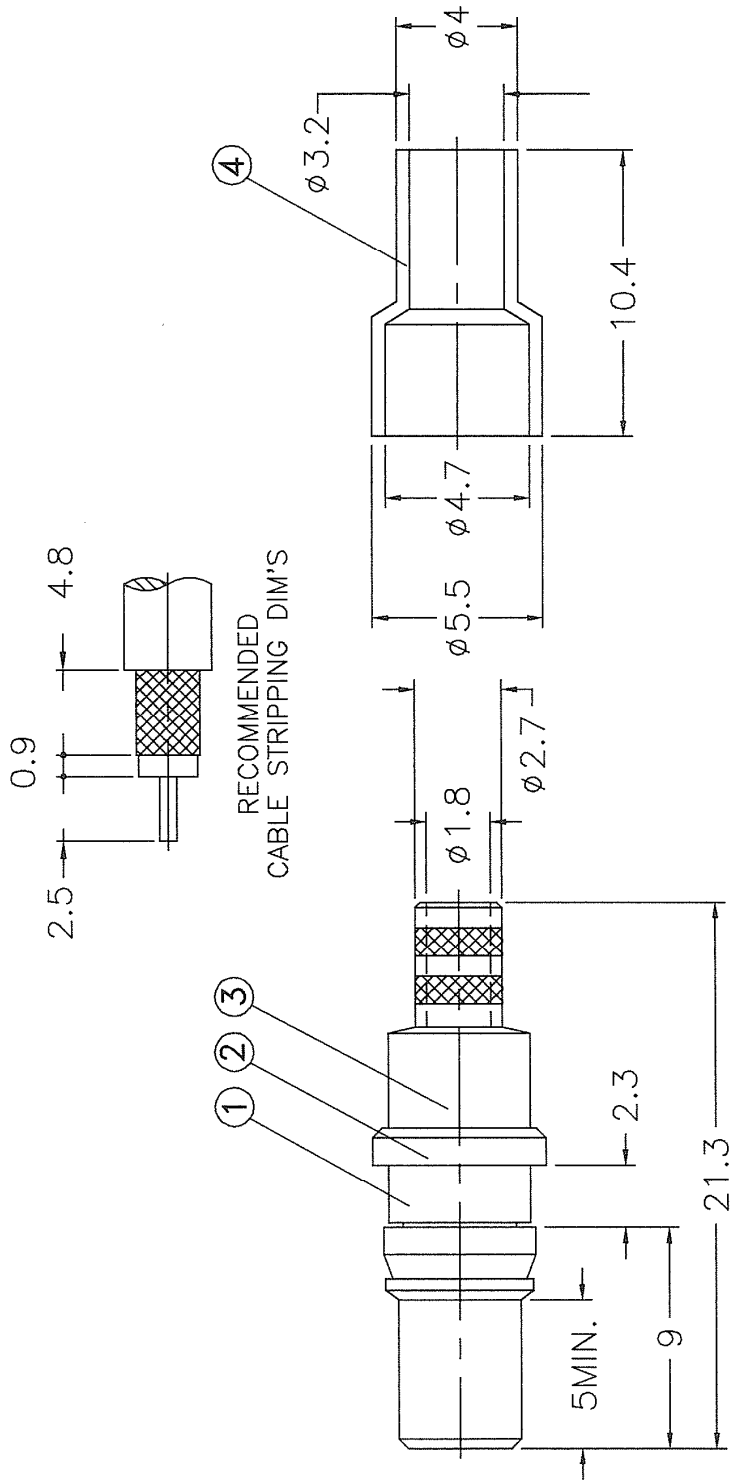


REVISIONS		DWG. NO.	SH	REV.
ZONE	LTR	DESCRIPTION	DATE	APPROVED



DESCRIPTION	MATERIAL	FINISH	DIMENSIONS ARE IN MILLIMETERS UNLESS OTHERWISE SPECIFIED TOLERANCES ARE:		APPROVALS	DATE
1 BODY	BRASS	NICKEL	0.5-6 = ± 0.2		DRAWN B. BURTON	4/15/96
2 INSULATOR	TEFLON	NATURAL	6-30 = ± 0.4		CHECKED	
3 CONTACT	PHOSPHOR BRONZE	GOLD	30-120 = ± 0.6		ISSUED	
4 FERRULE	BRASS	NICKEL	120-315 = ± 1			
5			315-1000 = ± 1.6			
6			1000-2000 = ± 2.4			
7						
8						

**Connex**  
Connector Corporation

D-SUB CRIMP PLUG  
(FOR RG-174/U, 188A/U, 316/U)

TITLE

SIZE FSCM NO. DWG. NO. REV.

A 99001 212100.DWG

SCALE 3.5:1 PART NO. SHEET 1 OF 1