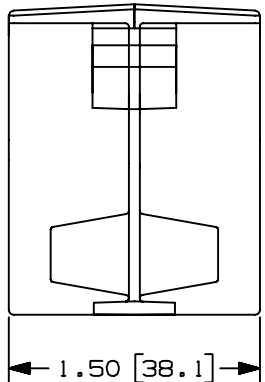
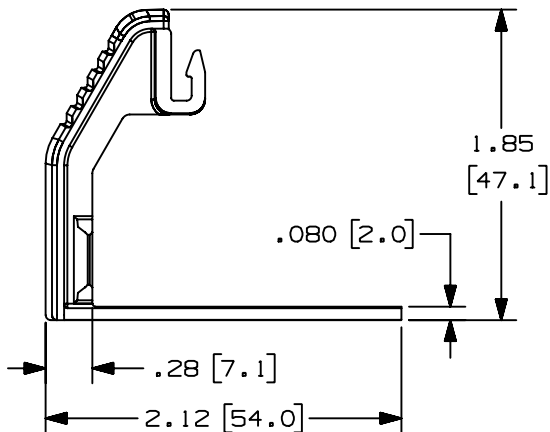


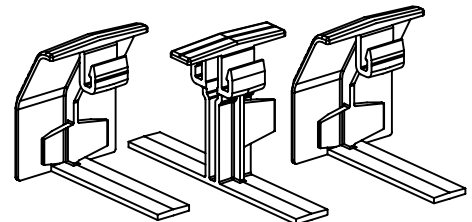
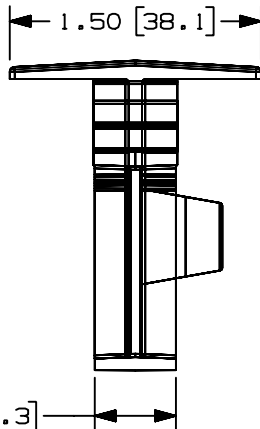
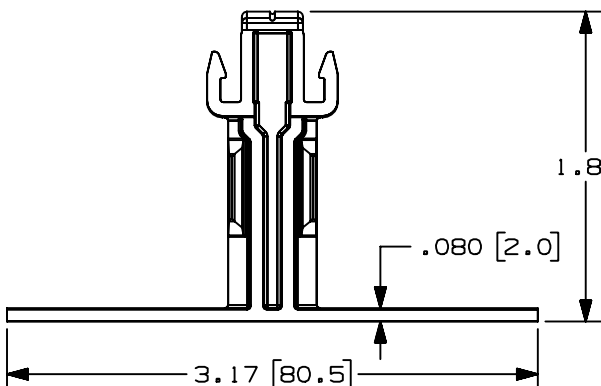
THIS COPY IS PROVIDED ON A RESTRICTED BASIS AND IS NOT TO BE USED IN ANY WAY DETRIMENTAL TO THE INTERESTS OF PANDUIT CORP.



PANDUIT P/N	WEIGHT
T702BC	.61 LBS/10 PCS. (276 G/10 PCS.)



- NOTES:
- SEE CURRENT CATALOG FOR ADDITIONAL PART SUFFIXES TO INDICATE COLOR AND OR PACKAGE QUANTITY.
  - THIS PRODUCT IS INTENDED TO BE USED WITH PANDUIT TYPE T70 RACEWAY.
  - DIMENSIONS IN PARENTHESIS ARE IN METRIC.
  - T702BC CONSISTS OF 2 T70CB FITTINGS AND 1 T70CI FITTING.
  - T70CI IS USED TO JOIN 2 PIECES OF T70 COVER TOGETHER.



CAD FILENAME/LAYERS D35541CU\_T702BC\_C\_01.PRT

PANDUIT CORP. TINLEY PARK, ILLINOIS

TWIN-70 BASE COUPLER (T702BC) CUSTOMER DRAWING



UNLESS OTHERWISE SPECIFIED, DIMENSIONAL TOLERANCES ARE:  
(.X) ± (.XXX) ±  
(.XX) ± ANGLES ±

UNLESS OTHERWISE SPECIFIED, ALL DIMENSIONS ARE GIVEN IN INCHES, THIRD ANGLE PROJECTION.

REV	DATE	BY	CHK	DESCRIPTION	ECN	CHK	CUST	SUP
I	07-26-99	DW	HIW	B. CORRECTED TITLE A. MAT'L WAS ABS/PC AND REV'D WEIGHT	35541-47	HIW	HIW	
R	10-02-96	PM	CEF	RELEASED TO PRODUCTION	35541-47	CEF	CEF	

DRAWN BY PM  
DATE 10-02-96  
CHECKED BY CEF

MAT'L: PVC  
Warning symbol: a triangle with the letter A inside.

SCALE NONE  
DRAWING NO. 35541-47

DWG SIZE A