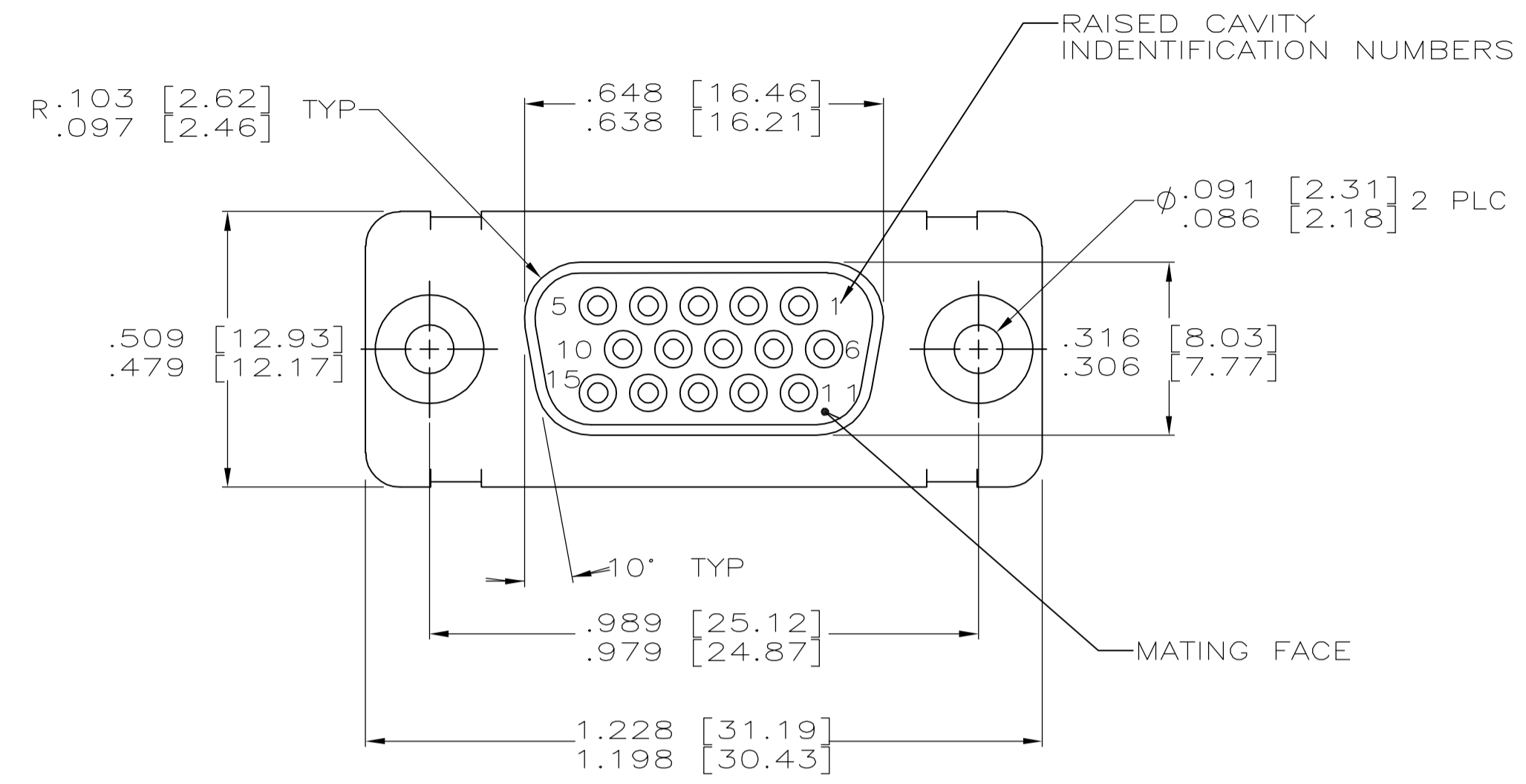


REVISONS		DATE	DWN	APVD
LOC	DIST	DESCRIPTION		
C	REV PER	ECO-06-018048	05OCT06	PY DM



CONTACT
MIL P/N M39029/57-354
AMP P/N 204351-1

- THIS CONNECTOR ASSEMBLY IS SUPPLIED WITH METAL CONTACT RETENTION CLIPS INSTALLED IN THE INSERT ASSEMBLY.
- THE CONNECTORS DESCRIBED IN THIS DOCUMENT MEET THE REQUIREMENTS OF MIL-C-24308 AND MATE WITH ANY PLUG CONNECTOR WITH THE SAME INSERT ARRANGEMENT.
- THE PART NUMBER MARKED ON THE CONNECTOR DIFFERS FROM THE PART NUMBER ORDERED DUE TO THE MARKING REQUIREMENTS OF MIL-C-24308/2 (PART NUMBER MARKED ON CONNECTOR REPRESENTS CONNECTOR ASSEMBLY WITH CONTACTS). MARK WITH .047 [1.19]-.062 [1.57] HIGH CHARACTERS. FAR SIDE REFERS TO THE WIDE SIDE OF THE KEYSTONE. NEAR SIDE REFERS TO THE NARROW SIDE OF THE KEYSTONE. MARKING SHALL BE LOCATED AS FOLLOWS:
 - "M24308" ON FRONT SHELL, FAR SIDE.
 - SLASH SHEET AND DASH NUMBER ON REAR SHELL, FAR SIDE.
 - "AMP" AND DATE CODE ON FRONT SHELL, NEAR SIDE.
 - AMP PART NUMBER ON REAR SHELL, NEAR SIDE.

IF THE FRONT SHELL IS TOO SMALL FOR "AMP", AMP PART NUMBER AND DATE CODE, THEN SPLIT AS FOLLOWS:

- AMP PART NUMBER ON REAR SHELL, NEAR SIDE.
- "AMP" AND DATE CODE ON FRONT SHELL, NEAR SIDE.
- MILITARY PART NUMBER ON REAR SHELL, FAR SIDE.

POINT OF ELECTRICAL ENGAGEMENT - AS MEASURED WITH A .0295 [0.749] - .0305 [0.775] DIAMETER SQUARE ENDED TEST PIN. CONTACT SHOWN INSTALLED FOR DIMENSIONAL REFERENCE ONLY.

MAXIMUM WIRE INSULATION TO BE USED WITH THIS CONNECTOR ASSEMBLY IS .054 [1.37] DIAMETER.

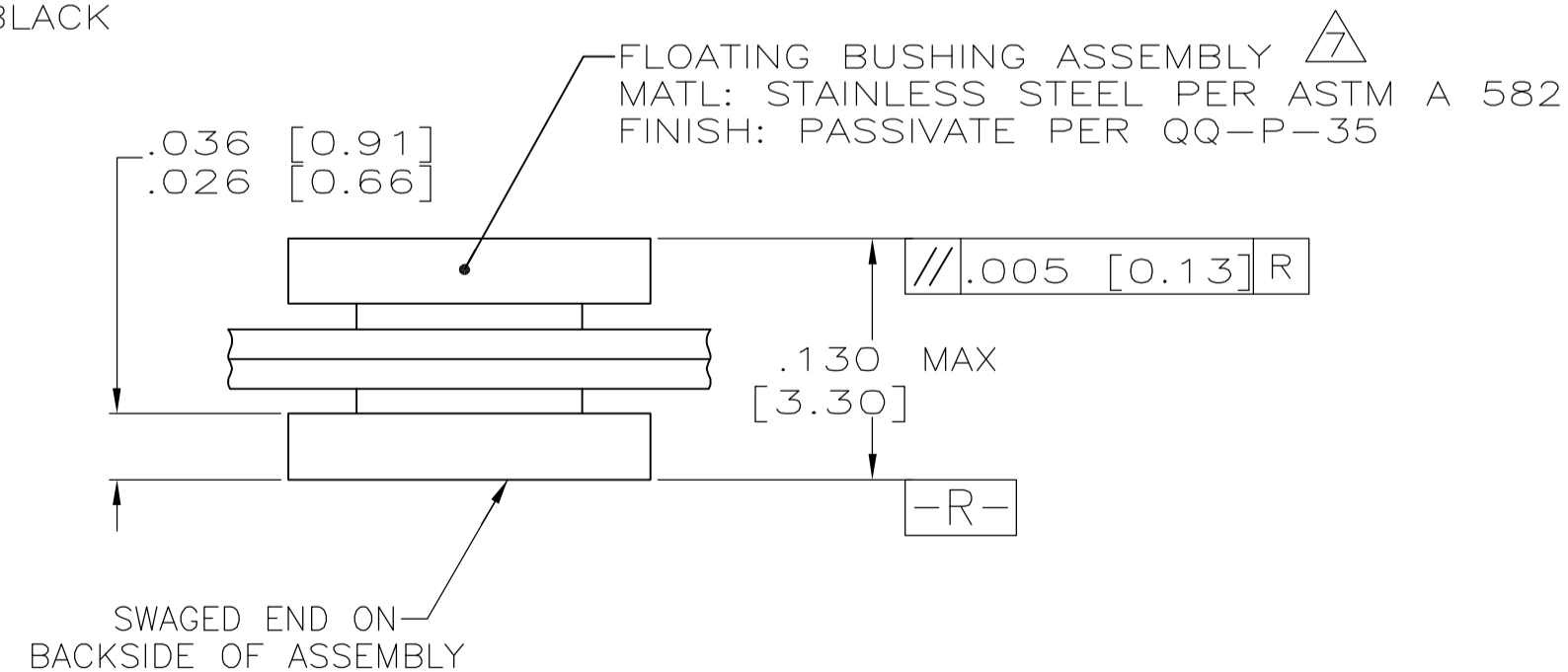
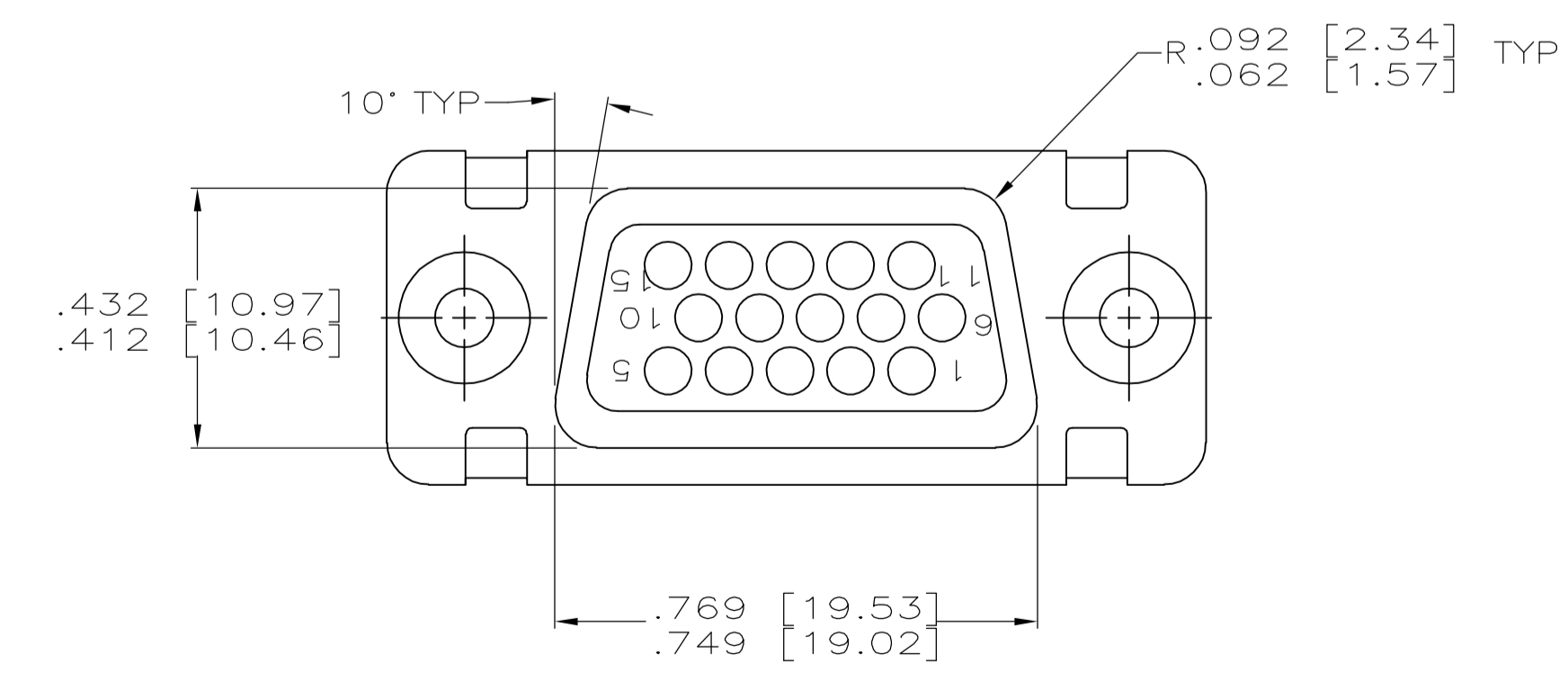
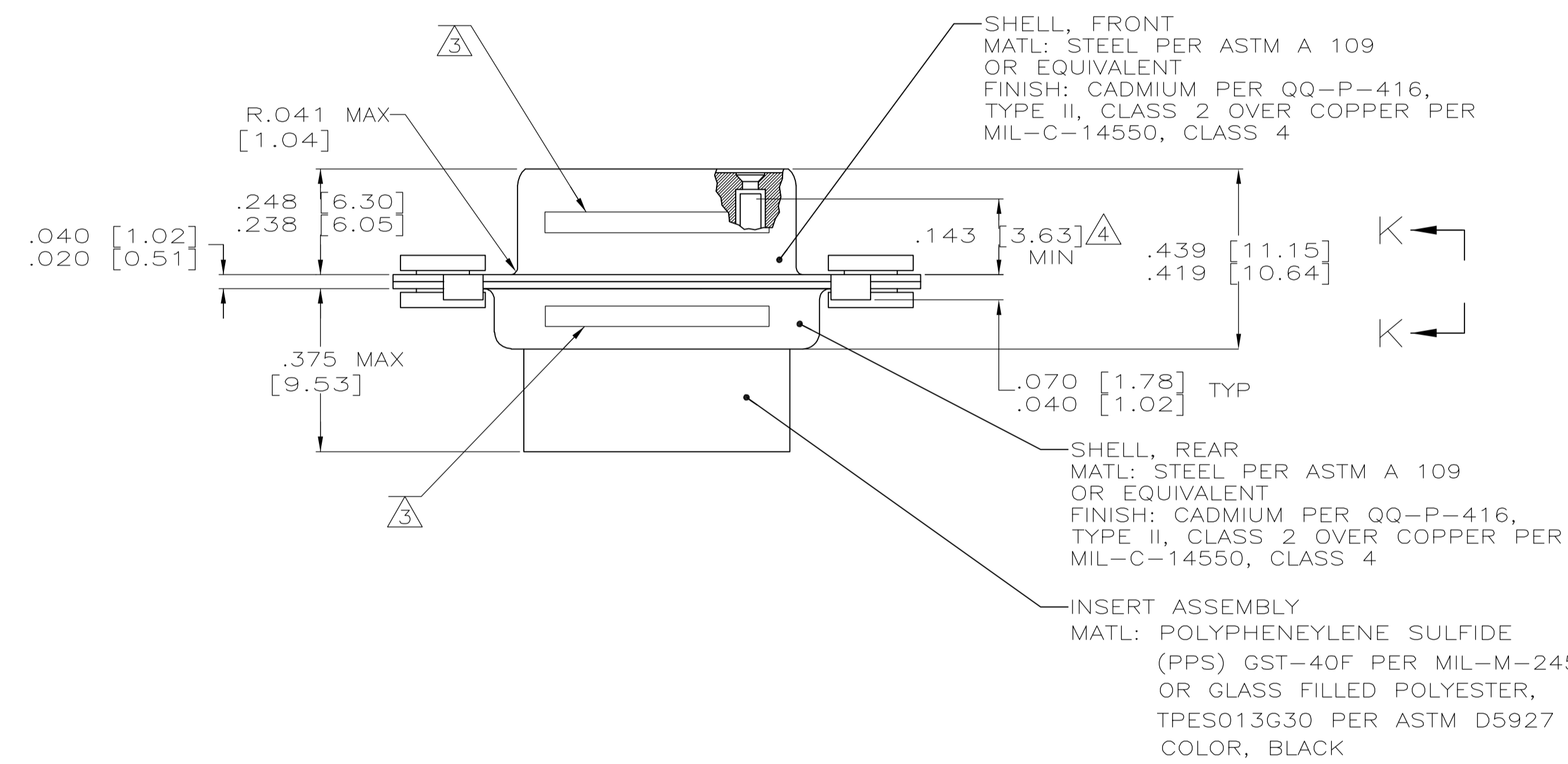
FOR CONTACT CRIMPING INSTRUCTION SHEET REFER TO AMP IS 7516. FOR CONTACT INSTALLATION AND REMOVAL INSTRUCTION SHEET REFER TO AMP IS 7508.

FLOAT SPECIFICATIONS ARE .004 [0.10]-.012 [0.30] VERTICALLY AND .026 [0.66]-.036 [0.91] HORIZONTALLY.

PART NUMBER FOR ORDERING.

DIMENSIONS AND TOLERANCES PER ANSI Y14.5M-1982.

THIS DRAWING SHALL BE INTERPRETED IN ACCORDANCE WITH APPLICABLE STANDARDS LISTED IN MIL-STD-100.



VIEW K-K
SCALE 10:1



SCALE 1:1
INSTALLATION & REMOVAL TOOL
MIL P/N M81969/1-04
AMP P/N 91067-1
QTY 1

MS18273-2	15	1	M24308/2-39F	M24308/2-28F	593014-1	593016-1
INSERT ARRANGEMENT	NO OF POS	SHELL SIZE	PACKAGE MILITARY P/N	MILITARY P/N ON CONNECTOR	AMP P/N ON CONNECTOR	PART NUMBER
THIS DRAWING IS A CONTROLLED DOCUMENT.				DWN: AJ GRAFF 10-9-92 CHK: B. GILLMAN 10-13-92 APVD: F. KINSEY 10-13-92 NAME: Tyco Electronics Corporation Harrisburg, PA 17105-3608		
DIMENSIONS: INCHES		TOLERANCES UNLESS OTHERWISE SPECIFIED:		AMPLITE RECEPTACLE ASSY WITH SIZE 22 CRIMP TYPE SOCKET CONTACTS AND TOOL SERIES 90, FLOATING BUSHING, SHELL SIZE 1		
0 PLC ± - 1 PLC ± - 2 PLC ± - 3 PLC ± .005 [0.13] 4 PLC ± - ANGLES ± -		FINISH: SEE CALLOUTS		SIZE: A1 DATE CODE: 00779 DRAWING NO: 593016 RESTRICTED TO: -		
MATERIAL: SEE CALLOUTS				WEIGHT: - CUSTOMER DRAWING: - SCALE: 4:1 SHEET 1 OF 1 REV C		